



PLASTIMO

Boatbuilding Supplies



Distributed in the USA by

BAINBRIDGE

INTERNATIONAL

www.bainbridgeintusa.com

Our Range of Boatbuilding Products Includes:

- Access & storage hatches
- Battery accessories
- Bilge ventilation
- Compasses
- Consoles and seats
- Deck hatches & portlights
- Deck showers & hoses
- Electric & manual bilge pump
- Fire extinguisher enclosures
- Sinks & washbasins
- Vents
- Water applications on deck



Distributed in the USA by

BAINBRIDGE
INTERNATIONAL



USA Corporate Headquarters
255 Revere Street



Canton, MA 02021
(781) 821-2600



@bainbridgeinternational



bainbridgeintusa



Bainbridge International Southeast
2580 N. Powerline Road, Suite:603



Pompano Beach, FL 33069
(954) 532-7557



Bainbridge International West
15242 Transistor Lane



Huntington Beach, CA 92649
(714) 373-3322



www.bainbridgeintusa.com

www.eshop.bainbridgeintusa.com

Access & storage hatches



Developed by the Plastimo R & D, a range of hatches which combines easy installation for the boatbuilder and optimised space for the crew's comfort.



**OPENS THROUGH 180°
OR WIDE OPEN WITH
REMOVABLE HATCH TOP**



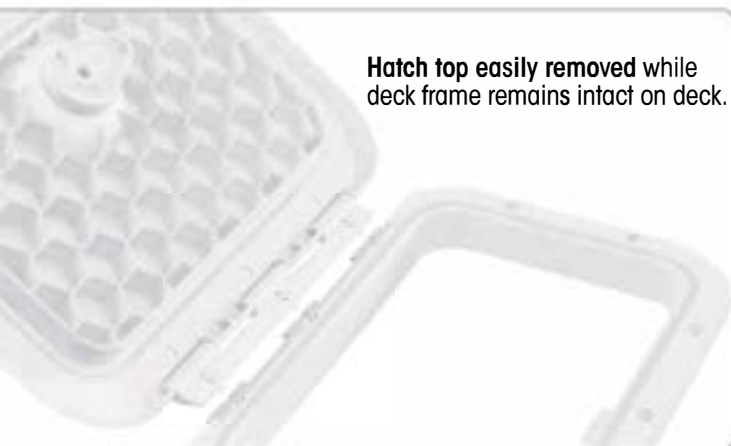
Take-apart hatch top, ideal when height does not allow full vertical opening : with the specific hinge design, a 5° opening angle is enough to allow the hatch top to separate from the lower frame and provide a wide open access.



Optional locks



All hatches are supplied with a set of 2 hinges offering two mounting possibilities : classic 180° opening or take-down hatch.



Hatch top easily removed while deck frame remains intact on deck.

Exclusive : the honeycomb structure inside the hatch provides **optimum rigidity**. Supports a 130 kg person with no distortion or mechanical strain.



Plastimo meets the needs of boatbuilders and retro-fit yards

With two sets of hinges supplied as a standard feature, the Plastimo hatch offers two mounting alternatives to accommodate the installation environment :

- Enough height available : hatch opening through 180°.
- Limited height, not enough to open up : hatch can slide horizontally and be removed.

Easy maintenance : should the hatch be replaced, all you need to do is unclip the hatch.

No need to remove or replace the deck frame (saving lots of labour time and watertightness operations).



Hatches certified when mounted in zones IIa, A, B, C and D, on sail and power boats.



With storage box

With optional locking kit

Construction in high grade ASA for durability and resistance :

- Impervious to UV.
- Excellent mechanical resistance, enhanced by the honeycomb structure inside the hatch.
- Walkable : resists 130 kg load with no distortion at all.
- Opening through 180°.
- Deck or wall mount.
- EPDM rubber gasket for perfect watertightness.
- Supplied with a set of 2 hinges allowing different installation alternatives : classic articulated hinge opening through 180°, or specific hinge making the hatch removable.

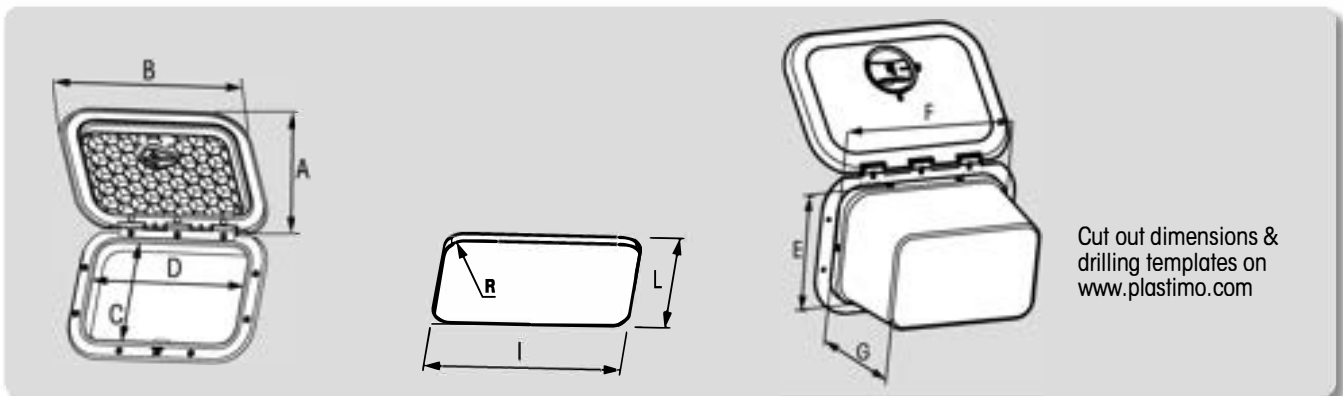


Dimensions in mm.

Description	White	Grey	Black	A x B	C	D	E	F	G	Cut-out L x I - R	Handle(s)
Hatch	62104	64790	64806	270 x 373	187	290	197	300	-	202 x 305 - 42	x 1
Hatch + storage	62106	64792	64808	270 x 373	187	290	204	307	190	212 x 312 - 43.5	x 1
Hatch	62112	64786	64802	373 x 373	290	290	300	300	-	305 x 305 - 42	x 1
Hatch + storage	62114	64788	64804	373 x 373	290	290	307	307	260	315 x 315 - 47	x 1
Hatch	65889	66525	66526	315 x 440	231	356	241	366	-	247 x 372 - 42	x 2
Hatch	65888	66523	66524	243 x 606	160	523	170	533	-	175 x 538 - 42	x 2
Hatch	62108	64794	64810	357 x 606	274	523	284	533	-	289 x 538 - 42	x 2
Hatch + storage	62110	64796	64812	357 x 606	274	523	291	540	300	295 x 545 - 42.5	x 2
Hatch	62116	64798	64814	458 x 513	375	430	385	440	-	390 x 445 - 42	x 2
Hatch + storage	62118	64800	64816	458 x 513	375	430	392	447	450	400 x 455 - 47	x 2

Option

Locking kit



Round deck plates



65392



65394



65396

Screw-out round deck plates

Black ASA, smooth cover. Watertight gasket included.

Model	4"	5"	6"
Ref.	65392	65394	65396
Overall Ø	160 mm	185 mm	210 mm
Useful Ø	106 mm	128 mm	153 mm
Cut-out Ø	112 mm	141 mm	165 mm



65391



65393



65395

Screw-out round deck plates

White ASA, smooth cover. Watertight gasket included.

Model	4"	5"	6"
Ref.	65391	65393	65395
Overall Ø	160 mm	185 mm	210 mm
Useful Ø	106 mm	128 mm	153 mm
Cut-out Ø	112 mm	141 mm	165 mm



65397

65398

Flushmount deck plates

White ASA, smooth cover. Watertight gasket included.

Model	7"	9"
Ref.	65397	65398
Overall Ø	268 mm	313 mm
Useful Ø	184 mm	235 mm
Cut-out Ø	215 mm	265 mm

Battery accessories

EZ Elec 

Never cut batteries when the engine is running, as this might deteriorate the alternator.

EZ Elec battery switch

The EZ Elec unit was developed by the Plastimo R & D team in cooperation with the most prestigious European boatbuilders. In addition to addressing the battery switch function on deck, it also brings **innovative solutions to mounting issues** : only one operator is required to install our EZ units, generating substantial labour and time saving for the boatbuilder.

A solution that combines **efficient installation and perfect integration** that matches the boat design and style.

- **Comfort and safety** : Splashproof when closed.
- **Stylish design** : Round or square versions with a choice of 2 colours to match stylishly and fit snugly in any deck or transom of sail and power boats, for a clean uncluttered look.
- **Flexibility*** : Flexible cover, unbreakable in case it gets snagged with crew moving about the deck.
- **Durable materials** : ASA/ABS rigid cover. UV-resistant cover withstands temperature variations.
- ABS built-in housing. Maintenance free.
- **Premium components** : A4 Torx screws.

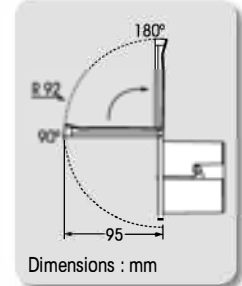
Complete ready-to-use units, including a **100 A – 12 V unipolar kill cord (500 A. for 10 sec. max., starting cycle)** and a removable key.

Model	Rigid		Flexible
	White	Chrome	White
Round cover	67214	68780	70980
Square cover	67215	68781	70981

Spare key : 13316



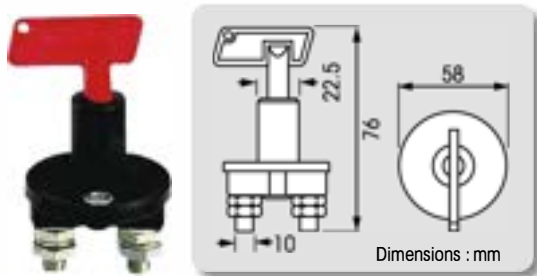
See EZ mounting principle on page 474.



EZ Flex



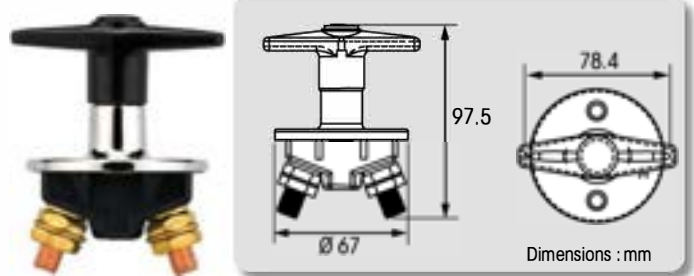
* FLEXIBLE COVER.



2-pole battery switch 100 A 23593

100 A – 12 V battery isolator switch
(500 A for 10 sec. max., starting cycle)
Removable key.

Spare key : 13316.



2-pole battery switch 300 A 65354

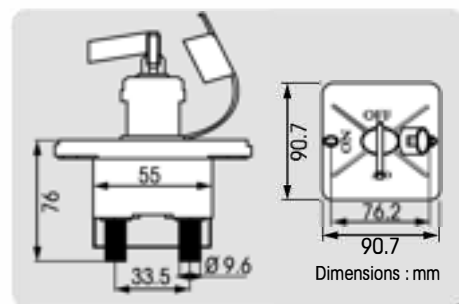
300 A – 12 V battery isolator switch
(1000 A for 10 sec. max., starting cycle)
Fixed key.



4-pole battery switch 64254

240 A – 12 V / 120 A – 24 V
(1500 A for 10 sec. max., starting cycle).

Spare key : 64255.



Switches



Battery master switch 17540

Suitable for one or two battery installations : to isolate or cluster the lighting and engine start circuits.

Capacity 150 A/12 V.

Polycarbonate case, footprint Ø 134 mm, height 65.7 mm.

Easy surface mounting, supplied with instructions.

Knob Ø : 52 mm.

Bilge pumps

Manual pumps

Corrosion, electrolysis and fuel resistant bilge pumps. Of rugged construction, they produce high capacity output with the convenience of many mounting positions (see drawings).



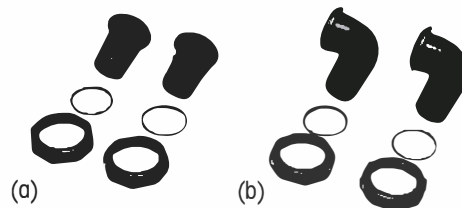
• Self-priming and leak free.

• Quick release inspection cover for added safety.

Model Photo	Single action A	Single action B shown on photo with outlet elbows.	Double action C
Reference of pumps	11723	11722 supplied without outlets. See below.	11724
Kit of 2 straight outlets (a) Kit of 2 outlet elbows (b)	Built-in outlets.	17491 17492	Outlets supplied with pump.
Model	Single action 11723	Single action 11722	Double action 11724
Weight	0.965 kg	0.990 kg	1.840 kg
Capacity output at 1 m height	36 L/min*	36 L/min*	58.5 L/min*
Maximum lift	3 m	3 m	3 m
Hose diameter	38 mm	38 mm	38 mm

*± 0,05 L (as per ISO 15083 : 45 strokes/min at a 1 m head, 10 kPa pressure).

The double action pump is equipped with outlet elbows, swivelling on 220°, thus allowing all mounting positions and reducing the clearance required (290 mm to 400 mm maximum). The outlet elbows are screwed and fitted with an O-ring for perfect watertightness and added safety (quick release facility). Straight outlets 17491 and elbows 17492 can also be mounted on pump C, which allows pumping in two different locations on the boat, while having only one waste water outlet.



Choice of outlets for single action pump 11722.

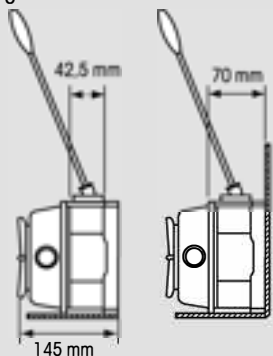
Parts common to the 3 pumps

- Cover alone : **12611**
- Spare handle, length 40 cm : **14315**
- Hose diameter 38 mm : **66896**
- Handle stowage clips : **16702**
- Screw cap for back part of pump : **18040**
- Spare diaphragm : **16217**
- Set of spare valves (input/output) : **16213**

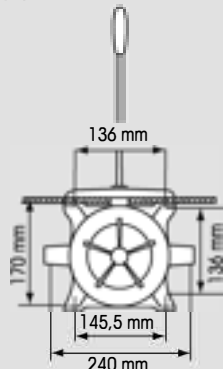


- Watertight gasket with cover complying with IOR rule : **14263** (see drawing)

Single action without watertight gasket



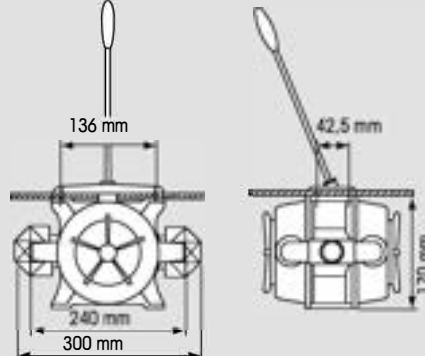
Single action with watertight gasket



Double action without watertight gasket



Double action with watertight gasket



Diaphragm pump 12760

Moulded in highly resistant plastic ; all metal parts in stainless steel. Easily removable diaphragm.
Multi-mounting position bilge pump.

Up to 8 possible mounting positions.

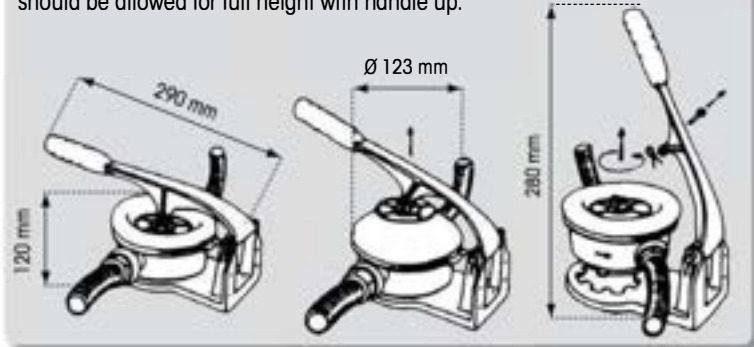
Horizontal or vertical mounting.

Pump comes complete with 2 outlets \varnothing 25 mm.

- Output : 22,5 L/min (as per ISO 15083 : 45 strokes/min at a 1 m head, 10 kPa pressure).
- Maximum lift : 3 m.
- Weight : 0.500 kg.
- Hose diameter : 25 mm.

**MADE BY
PLASTIMO**

To have access to the pump chamber, pull handle in upright position. Remove the pin which secures the handle onto the diaphragm and turn the pump body anti-clockwise until free. When mounting the pump, clearance should be allowed for full height with handle up.



PLASTIMO

Options & spare parts

- 25 m hose \varnothing 25 mm : **66894**
- Repair kit (diaphragm + valves) : **16218**
- Outlet for hose \varnothing 25 mm : **16220**
- Spare diaphragm : **16219**
- Spare handle : **16221**

Manual pumps

Plastimo bilge pumps have been designed in cooperation with boatowners and engineered by the Plastimo Research and Development team.

**DESIGNED BY
PLASTIMO**

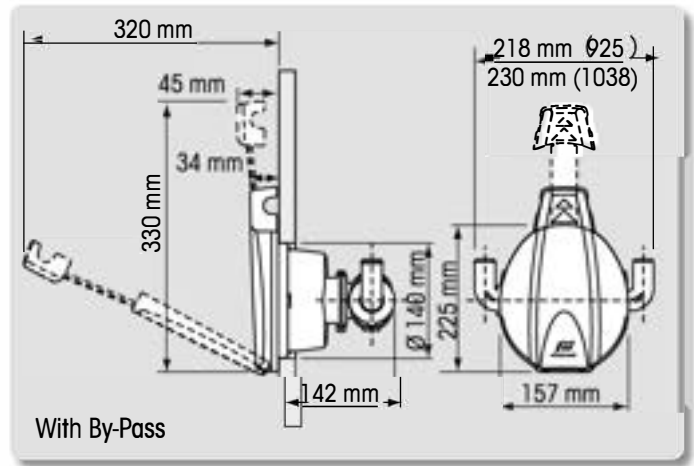
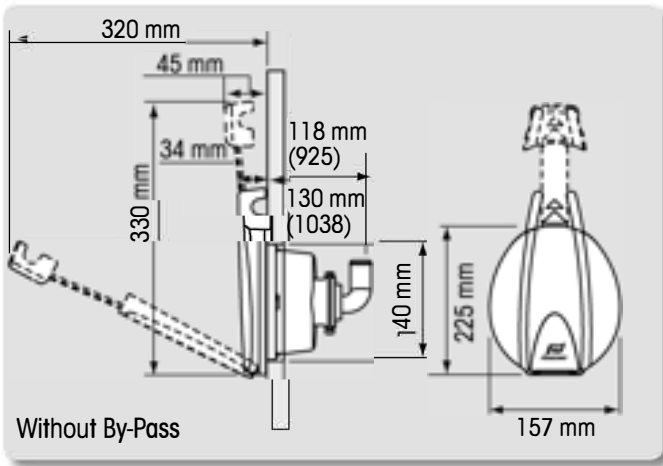


**ISO
15083**

Pump 925 and 1038 : with telescopic handle

Bilge pump with telescopic handle, for efficient and more comfortable pumping. A version with By-Pass connector allows the connection of both a hand pump and an electric centrifugal on a single water circuit.*

*Not suitable o a electric



See By-Pass connector on following pages

Pump model	Pump 925 without By-Pass	Pump 925 with By-Pass	Pump 1038 without By-Pass	Pump 1038 with By-Pass
Reference	39539	53058	39541	53059
Output	0.9 litre per cycle		1 litre per cycle	
Capacity, as per ISO 15083 standard (45 strokes per minute, with a 10 kPa depression)	40.5 litres/minute		45 litres/minute	
Weight	0.920 kg	1.050 kg	0.920 kg	1.050 kg
Hose diameter	Ø 25 mm (1")		Ø 38 mm (1 1/2")	
Supplied with :	2 elbow fittings with valve (inlet & outlet)			

Compact

- The Plastimo pump is very compact and the 90° position of the outlets allows installation where space is limited or access difficult.
- Outlets swivel through 360° and therefore adapt perfectly to the pump position in relation to the strainer and thru-hull fitting.

Optimum safety

- No hassle looking for the handle at the critical moment : the Plastimo bilge pump is always ready-to-pump, thanks to its fully integrated handle.
- In case the diaphragm would leak, the water is rejected in the cockpit (not in the bilge), so you can't help noticing it immediately.

Simple installation and maintenance

- Installing the pump is extremely simple : all done from the cockpit.
- The diaphragm can be removed within seconds ; no need to take down the whole pump. This facilitates the cleaning of the pump body (remove small stones and other possible objects clogged in the pump) and enables the replacement of the diaphragm if necessary.
- Construction from materials impervious to UV-rays, impact and weather resistant.

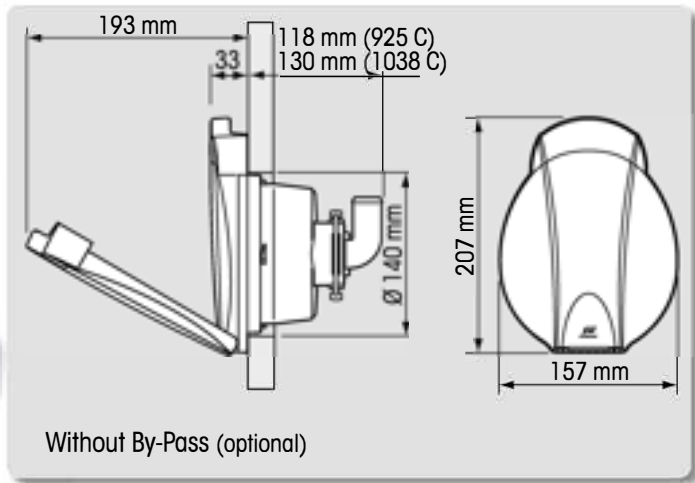
Design

- One obviously expects from a pump that it should first and foremost be efficient... In addition to the remarkable technical performance Plastimo has paid a particular attention to design and aesthetics, building on years of expertise in composite materials and plastic engineering. The result is a stylishly designed pump, which matches very nicely the cockpit of modern boats.



Pump 925C & 1038C : compact with integrated handle

Very compact pump with the handle integrated in the cover. Suitable for connection to an optional By-Pass (see following pages).



Option : 53060
By-Pass connector

Pump model	Pump 925C without By-Pass	Pump 1038C without By-Pass
Reference	55764	55765
Output	0.9 litre per cycle	1 litre per cycle
Capacity, as per ISO 15083 standard (45 strokes per minute, with a 10 kPA depression)	40.5 litres/minute	45 litres/minute
Weight	0.750 kg	0.750 kg
Hose diameter	Ø 25 mm (1")	Ø 38 mm (1 1/2")
Supplied with :	2 elbow connectors with valves (inlet and outlet)	

By-Pass, bilge pump connector

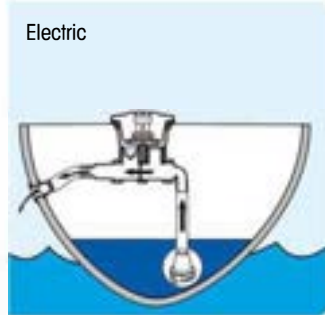
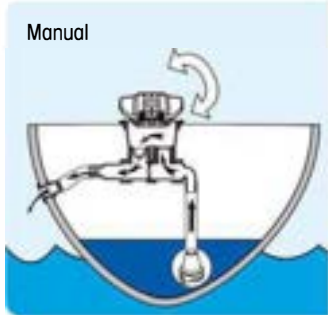
53060

The By-Pass adapts on pumps 925 & 1038 or 925C & 1038C and allows the connection of both a hand pump and an electric centrifugal* pump on a single water circuit.

*Not suitable for a diaphragm or a flexible impeller electric pump.

- **Simplified installation** : the single circuit common to both pumps is a major time/labour saving asset for boatbuilders.
- **Easy connection** : straight/elbow fittings with O-rings snap-in easily.
- **Minimal maintenance** : fittings snap off easily to remove debris or replace valves if necessary.

PLASTIMO

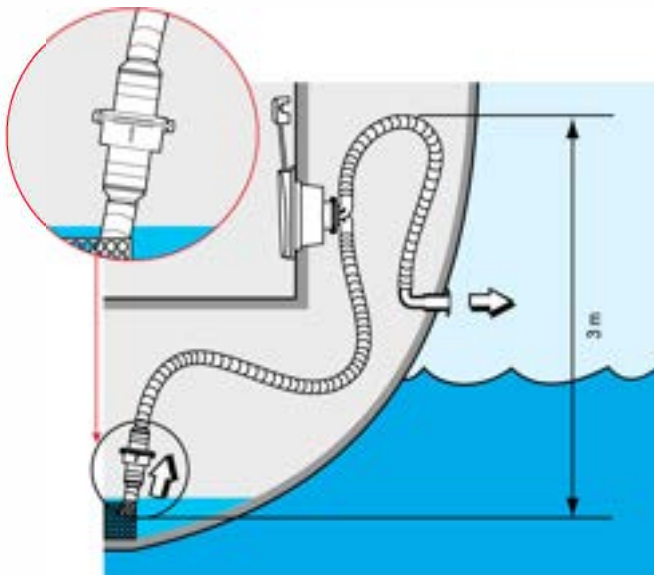
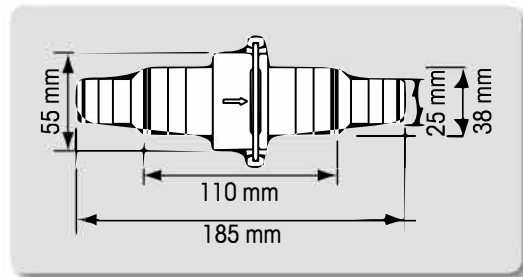


Outlet with non-return valve

42797

Prevents backflow into the bilges : mounted as close as possible to the strainer, the non-return valve locks up the water in the hose.

- Straight outlet for hose \varnothing 25 mm or 38 mm : simply sawing off the \varnothing 25 mm outlet.
- Bellows-type gasket (ref. : 40677 supplied as standard) allows debris such as seaweed or small cloth. Can be replaced by a flat gasket (see optional ref. : 40676).
- Polyamide valve + nitrile gasket, fuel resistant.



Various options are possible to set the outlet most adapted to your needs.










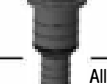


Accessories for bilge pumps

	PUMP 925C	PUMP 1038C	PUMP 925	PUMP 1038
Inlet valve	40676	40676	40676	40676
Outlet valve	40677	40677	40677	40677
2 fastening clips	40678	40678	40678	40678
2 elbow fittings (inlet + outlet) + "O" rings	40679	40680	40679	40680
Spare diaphragm	40681	40681	40681	40681
Spare cover	55684	55684	40682	40683

Fittings

Complete range of polyethylene fittings, suitable for all Plastimo bilge pumps and By-Pass connector.

Fitting	Ø mm	Ref.	55764 55765		39539 39541		53060	
			Inlet	Outlet	Inlet	Outlet	Inlet	Outlet
	Ø 19	54556	✓	-	✓	-	✓	✓
	Ø 25	55767	✓	-	✓	-	✓	✓
	Ø 28*	55768	✓	-	✓	-	✓	✓
	Ø 38	55769	✓	-	✓	-	✓	✓
	Ø 25	54557	✓	-	✓	-	✓	✓
	Ø 25	42799	-	✓	-	✓	✓	✓
	Ø 28*	55770	-	✓	-	✓	✓	✓
	Ø 38	42798	-	✓	-	✓	✓	✓
	Ø 28	53062	-	✓	-	✓	✓	✓
	Ø 25-38	55135	-	✓	-	✓	✓	✓

All fittings are supplied with "O" ring. *Ø 28 - 1 1/8" fitting available in kit. Includes one inlet and one outlet fitting : **53061**

Fire resistance : self-extinguishing, V2
Phthalate-free (< 0.1 %)

Waste water hose

PVC flexible hose reinforced with a PVC helical braid inlay.
Shockproof, lightweight and flexible.
Suitable for waste water.
Temperature range : -15° to +50°C.

Ref.	Int. Ø	Ext. Ø	Weight	Bend radius	Vacuum pressure	Length
66893	19 mm	23.80 mm	110 g/m	19 mm		
66894	25 mm	30 mm	140 g/m	25 mm		
66895	30 mm	35.4 mm	200 g/m	30 mm	3 mH ₂ O (300 mbar)	25 m
66896	38 mm	44.2 mm	270 g/m	38 mm		

Electric bilge pumps



PLASTIMO



Electric diaphragm pump, for bilge, livewell and waste waters

A comprehensive range of self-priming pumps, specifically designed to drain the bilge, livewell, heads, shower or sink.

No filter is needed ; pump can therefore operate with no risk of seizing up the outlet pipes. These pumps

also allow the temporary storage of waste water in a tank (see WC page).

Specially designed for the boaters' needs, the electric motor features low power consumption. It is easy to mount in **2 positions (horizontal or vertical)** and oriented in 8 different directions.

This adds flexibility, especially when installing the pump in a small volume area.



The electric bilge and waste pumps feature the same advantages as the manual pump, i.e. : choice of outlets (18561 and 18562 models), quick release inspection lid for added safety.

Options

• Kit of 2 straight outlets : **17491**

• Kit of 2 elbow outlets : **17492**

• Hose Ø 38 m, length 10 m : **66896**



Model	Voltage	Ref.	Open flow	Hose Ø	Cons.	Max. fuse	Weight
Built-in outlets	12 V	18556	35 L/min	38 mm	6 Amp.	20 Amp.	3.5 kg
Screw-on outlets*	12 V	18561	35 L/min	38 mm	6 Amp.	20 Amp.	3.5 kg
Built-in outlets	24 V	18557	35 L/min	38 mm	3 Amp.	10 Amp.	3.5 kg
Screw-on outlets*	24 V	18562	35 L/min	38 mm	3 Amp.	10 Amp.	3.5 kg

* Choice of outlets : straight or elbow (see options).

Bilge ventilation

Classic electric blower

Hints to select the right bilge blower

Bulkhead-mount : the ideal option if installation is complex and connectors are numerous.

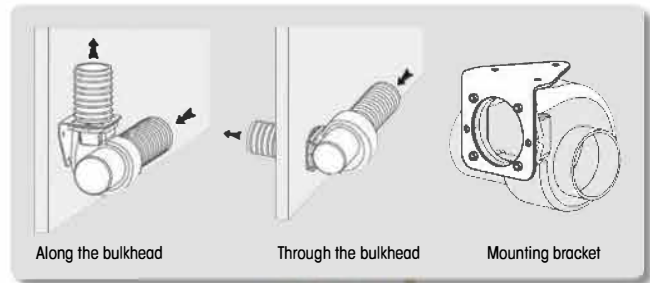
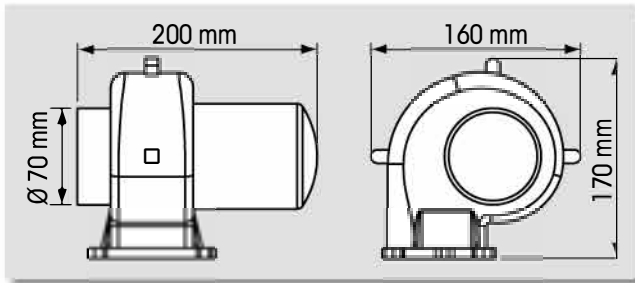
In line : the simplest and the most economic option, ideal in plain configurations without multiple elbows and connectors. Will usually have a longer lifetime than other models, with a reduced power consumption.



Selected by boatbuilders for its sturdy construction and durability.

- Suitable for use in the engine compartment, cabins and damp closets or areas.
- In the engine compartment : it is essential to start the blower 5 minutes before starting the engine.
- Its compact design allows installation in different positions and in space restricted areas. Can be mounted along or through a bulkhead, horizontally or vertically. An optional mounting bracket adapts the blower to all mounting possibilities.
- Sturdy polyamide housing for good shock resistance.

Power	Ref.	Output	Consumption
12 V	16274	150 m ³ /h	4 Amp
24 V	16275	150 m ³ /h	2 Amp



Accessories



• Flanged adaptor : **16276**
Ø 70 mm
125 x 125 mm



• Hose : **16277**
Ø int. : 70 mm.



• Gasket : **17642**



• Mounting bracket : **57287**



See Ø 70 mm louvred vent p. 605 and 607.







Plastimo compasses : over 50 years on the right course.



Only the best will do !

For ultimate quality, Plastimo selects the best components in order to ensure that your compass is a highly dependable instrument which will provide years of reliable service.

- A sapphire equips every compass : its hardness is a warranty for the long life and precision of your compass.
- All Plastimo compasses feature an anti-vibration system, which ensures a minimal contact between the pivot and the sapphire cup ; the latest-born "Vibration absorber" device damps spinning caused by high-speed pounding and vibration.
- A compass is a meticulously engineered instrument : all the "precious" components are produced by Swiss clock-makers, worldwide famous for their legendary precision.
- The soft Viton® diaphragm or the semi-soft ultra-sound welded diaphragm is fully waterproof and has an extreme expansion and retraction capacity : it compensates the fluctuations in fluid volume caused by the differences in temperature and atmospheric pressure.
- All plastic components -and more specifically the material used for the dome- are carefully selected to withstand shocks, UV-rays and harsh marine environment.
- The crystal transparency of the dome and the exceptional magnifying index of the fluid contribute to the perfect legibility of the card.

Viton® is a registered trade mark of Dupont de Nemours.



Innovation stems from state-of-the-art Research & Development.

For over 50 years, the Plastimo Research and Development department has created and engineered extremely dependable compasses, combining top performance with stylish design. Building on the same development philosophy, our engineers now use the most sophisticated computer assisted design programs.

To be allowed on your boat, a Plastimo compass must pass challenging quality control tests.

Needless to say, all Plastimo compasses comply with the regulation... but Plastimo's stringent requirements are even more demanding : at every stage of production, each compass is tracked, checked and thoroughly inspected, so that quality is never a coincidence.

- Accelerated ageing tests, carried out in our laboratories, guarantee that the dome and all other components are totally impervious to UV rays.
- Vibration tests used to simulate the vibrations generated by rough sea and high-speed : the card must remain absolutely stable, whatever the vibration frequency. While the regulation requires tests from 7 to 40 Hz, Plastimo challenges its compasses to tests between 5 and 100 Hz.
- Temperature tests : our compasses are tested in heated and refrigerated cabinets from +60° to -30° C (+180° to -70 °F). Even in these extreme temperatures, the compass must not leak or develop bubbles.



P & F Verney - Polar Lys, Groenland



- Stability tests : when the card is deflected (40° or 90°), it must return to its original position and settle within a predetermined time (called the "half-period").
- Precision and accuracy are tested on each cardinal point. After a 95° deflection, the card must return to its original position, within a 1° maximum allowance.
- Packaging protection : in order to guarantee optimum protection during transport, we regularly drop test our packaged compasses from a 1 metre height to a hard surface.
- Final quality tests : assembled, packaged and ready for shipment, Plastimo compasses are once again inspected with a statistical sampling.

5 year
Warranty

These stringent tests and quality assurance procedures allow Plastimo to offer a 5-year warranty on all its compasses, and to certify an outstanding quality that meets all European and ISO 25862 specifications.

4 million compasses
100 % handcrafted by Plastimo

The most prestigious racers,
the most demanding boatbuilders,
the most safety conscious yachtsmen
keep on the right course with Plastimo.





Excellence in compass-craft

For over 50 years, we have owed our position as market leader not only to our extensive range of 400 models, but also to our continuous effort to offer you such a top quality product that you never have chance to mention it, except than recommend it to a friend getting ready to equip his boat.

Compass production is fully controlled in our Lorient (France) factory.

Produced from state-of-the-art injection moulding machines, domes are individually inspected, thus eliminating the slightest risk of imperfection-optical or mechanical.

Every compass card is balanced manually to ensure its perfect horizontality. This is an extremely delicate operation, requiring patient and scrupulous craftsmanship which only years of experience can bring.



Printing and legibility of the card must pass microscopic examination. Quality and durability of the printing are fundamental. Once the compass is assembled, the magnification of the card is such that the slightest flaw would be intolerable. Plastimo owes its position as market leader to this uncompromisingly stringent selection of cards.



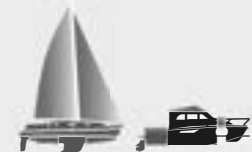
A Plastimo compass is a meticulously engineered instrument. The complexity of components and the extreme accuracy required at every stage forbids production automation ; every compass is assembled manually. Even when brand new, it already has an interesting history...

The oven test is used to detect possible leaks. Each compass is placed for 1h30 in a cabinet heated to +60 °C. As this produces an expansion of the fluid, the diaphragm compensates for volume fluctuations.



How to select your compass?

Selecting the best compass for your boat is extremely important, as the compass will be the helmsman's or pilot's navigation mate for many years. To help you choose, we suggest that you ask yourself the following simple but essential questions :



- **What type of boat do you own?**

Dinghy, cruising boat, racing boat, powerboat, kayak or yawl... You should know that the main differences between a sailboat and a powerboat (in terms of compass construction) are the heeling angle and the resistance to vibration and shocks. These technical elements are of course integrated in the engineering of our compasses..

- **What is your navigation programme ?**

Day sailing, cruising, passage making, racing... you will select a compass with or without lighting, with or without compensation, with the right card balanced for the geographical card where you are going to sail, with a plain or tactical card.

- **Which size of compass ?**

If the compass is designed to be read from a distance, you will need a larger compass. Generally speaking and as a benchmark indication, you should select a card apparent diameter between 70 and 90 mm, for a 5 to 9 m boat (17-30 ft).

- **Which type of mounting ?**

Flushmounted on a horizontal, vertical or inclined bulkhead, on a binnacle or mini-binnacle, on a bracket, in a take-away or mast-mounted version... you must choose a compass which remains easily readable (shape of card) at all times. The Plastimo range of compasses covers all mounting options and all our models are designed for minimum drilling and screwing. Last but not least, be stylish : often located at the heart of your boat, your compass should ideally match and enhance the character of your boat ; you will therefore pay particular attention to its design and colour.

**Flat card**

A flat card is read on the back edge, where the lubberline is located. The fluid magnifies

the numerals which become easier to read. In addition, the flat card provides a global view of the card and its North point in relation to the boat's direction.

**Conical or cylindrical card**

Reading from the front and the top of the card. In addition

to front reading, this type of card usually features numerals and cardinal points on the top part of the card, thus providing two reading possibilities. This card is particularly suitable when steering or piloting is done sitting or standing.

A jewel on your dashboard

While holding the course is obviously the primary function of a compass, we at Plastimo, believe that elegance and style add to your sailing pleasure. We have designed your compass to enhance your boat. You will be proud of it.

Plastimo compasses have been presented with several prizes, of which the most impressive are French, Japanese, German and American Design Awards.



Installation on board



Flushmount on horizontal surface

This extra-flat version provides an excellent viewing angle and also reduces vibrations by absorbing them. On a powerboat, a flushmount compass is ideal for the flybridge, the upper deck or the central steering pod ; on a sailboat, a flushmount compass will be ideally located on either side of the deck or mounted on a binnacle.



Flushmount on vertical or inclined surface (often known as bulkhead or dashboard compass)

A bulkhead compass is generally mounted on the cockpit side of the cabin bulkhead, allowing easy viewing from the cockpit (and also from the cabin, with the famous Contest 101). On a powerboat, this is ideally suitable for a vertical dashboard or a central steering pod.



Bracket

Very popular on powerboats, a bracket allows for swift and easy mounting whatever the location. It is particularly suitable on surfaces with awkward angles. A bracket-mount compass can generally be taken away for safe storage, which is a real plus on a powerboat with no cabin.



Binnacle for steering wheel

For sailboats with a steering wheel.



Mini-binnacle

Ultra-slim and compact version ; does not require any cut-out hole. The compass can be taken away for safe storage.



On fixing bracket

Often a multi-function compass (combines course + handbearing functions), this type of compass is usually removable for storage.



Mast-mounting

If you have only little space available, mast installation can be the answer. It is very easy to carry out thanks to a specific mast mounting kit.

Compensation

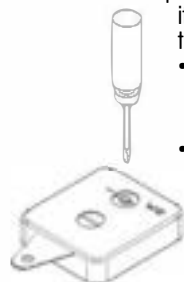
DEVIATION :
See adjustment procedure on www.plastimo.com

Compasses are supplied with built-in compensation, or can be further equipped with an optional compensation. Compensating a compass consists in adjusting the position of the 2 magnets, in order to affect the horizontal component of the card by modifying the North/South and East/West deviation. The compensation procedure is a delicate operation and should ideally be carried out by a professional compass adjuster.

How to compensate a compass

Use a second compass as the reference ; a handbearing compass is often the most convenient, provided it is interference-free. The North-South screw corrects North-South heading ; the East/West screw corrects East-West heading.

- Run the boat along the Northerly course selected as per your handbearing compass and adjust your steering compass by turning the North and South screws either way, so that the steering compass also points North.
- Repeat the procedure, running the boat Easterly.
- Run the boat Southerly and this time, reduce the deviation by half.
- Run the boat Westerly and reduce the deviation by half.
- Note : Upon completing the compensation procedure, it is essential to draw a new deviation table.



Offshore® compass

Offshore® 55

Ideal on small size power boats, up to 6 metres (20 ft).



Offshore® 55

- Black card, black flange : **63854**
- White card, white flange : **63855**

• Bracket-mount

Large stable base absorbs vibrations, simply screwed on dashboard.

• Card

Contributes to safety and provides reliable reading, whatever the ambient light and weather/navigation conditions (conical card, perfectly stable, 55 mm apparent diameter).

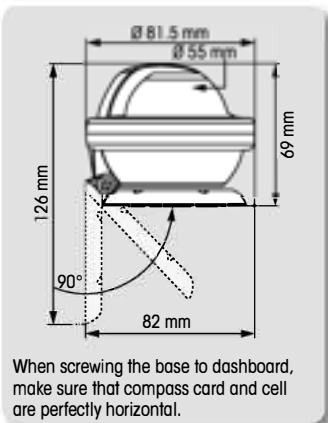
• Moulded-in notch to visualise heading easily.

• Materials

All parts fully UV-ray treated. Scratch resistant dome.

• Watertight construction

One-piece moulded flange and bowl. Diaphragm for absolute watertightness.



OFFSHORE 55	
Boat size	Powerboats up to 6 metres (20 ft).
Card	Conical card graduated every 5°. Apparent Ø 55 mm. Heading numerals every 30°.
Mounting	Bracket-mount, on a horizontal, tilted or vertical surface.
Reading	1 moulded-in notch to visualise heading easily.
Compensation	Optional (access by removing the top flange)
Lighting	Optional : 12/24 V LED bulb. Access by removing the top flange.
Supplied with	Orientable installation base and screws.

Options & Accessories



- **Compensation : 17673**

- **Optional lighting : 62037**
12/24 V LED bulb



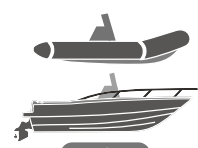
Also available in Kayak version, with shock cords and hooks. See page 356.

Offshore® 75

Jenmeu ©



The Offshore 75 compass benefits from Plastimo's invaluable experience in compass engineering. Whatever the boat speed or vibrations, the Offshore 75 remains fully efficient, thanks to the exclusive "Vibration Absorber" system which guarantees an exceptional card stability in all conditions.



5-8m



RESISTANCE TO VIBRATIONS tested by LCIE*, no. 30559010. "VIBRATION ABSORBER" exclusive system : Minimal contact between the pivot and the sapphire cup.
*French official testing laboratory.

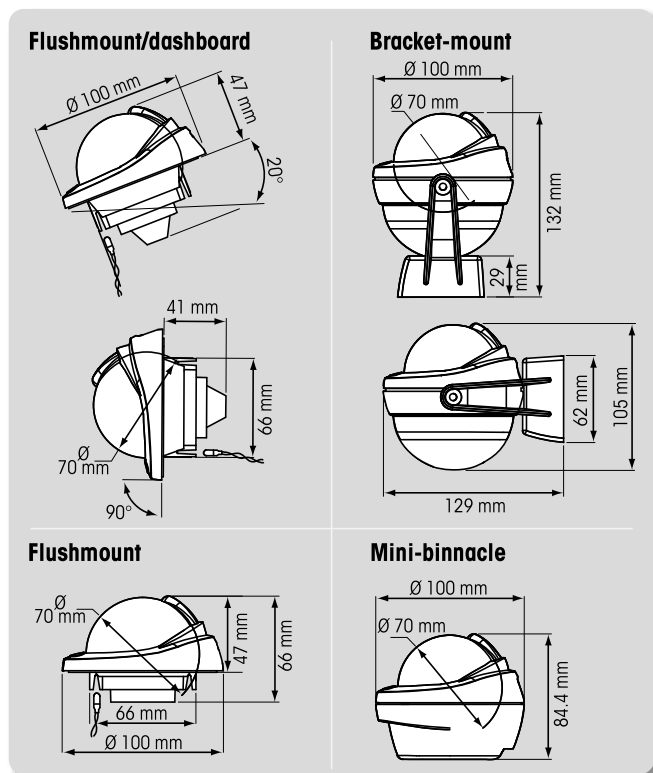


Installation

- **Flushmount on horizontal surface** : compact compass (fastening with screws).
- **Flushmount on vertical or inclined surface/dashboard** : fits any surface whatever the angle (fastening with screws). Interchangeable with any compass of equivalent size.
- **Mini-binnacle** : to be mounted on a horizontal surface thanks to the unique clip-plate which allows the compass to be removed.
- **Bracket** : the broad and sturdy bracket base absorbs the vibrations. Mounting can be done on any surface whatever the angle, provided that the compass + card unit remains horizontal at all times. Bracket-mount compass can also be removed when fitted with clip-plate.

Offshore® 75

OFFSHORE 75	
Boat size	Powerboats of 5 to 8 metres (17 to 26 ft).
Compass card	Conical card graduated every 5° apparent Ø 70 mm. Heading numerals every 30°.
Mounting	Flushmount : on a horizontal, vertical or inclined surface.
	Mini-binnacle : mounted on a horizontal surface thanks to a clip-plate (supplied) ; compass is removable. With a bracket : mounted on a horizontal or inclined surface. Compass is removable thanks to clip-plate.
Resistance to vibrations and hull pounding	Magnetic cell equipped with the unique "Vibration Absorber" system.
Lubber line	1 lubber line.
Compensation	Optional (on mini-binnacle and bracket-mount models)
Lighting	12-24 V. LED included on all Offshore models. No lighting on Offshore Basic.
Supplied with	Clip-plate, screws, drilling template.
Approval/homologation	ISO 25862 compliant.





Card

- Card design guarantees accurate readings and safe navigation under all weather or light conditions.
- Perfect stability of conical card, 70 mm apparent diameter.
- Every card is balanced individually in our workshops.
- Front reading : graduation every 5° and compact figures allow for easy reading.

Lighting

Led is integrated in the bowl, thus spreading the illumination evenly and preventing eye strain and fatigue at night.

Watertight construction

- One-piece moulded flange and bowl.
- Viton® diaphragm with extreme expansion and retraction capacity : compensates the fluctuations in fluid volume caused by the differences in temperature and atmospheric pressure, thus preventing the formation of bubbles.
- Lighting integrated in the bowl.



Lubber line

Red for instant recognition.

Materials

- All parts fully UV-ray treated.
- Scratch resistant dome.

Access to compensation or lighting

Extremely easy access to compensation or lighting with unique flange-clip system.

Compensation

Only bracket-mount and mini-binnacle versions can be equipped with optional compensation box.



OFFSHORE 75 Basic, sans éclairage	Black card, white flange	Lubber line
Mini-fût pour plan horizontal	White : 63863	Red
Sur étrier pour plan horizontal ou vertical	White : 63864	Red

OFFSHORE 75, with lighting	White card & flange	Black card black flange	Lubber line
Flushmount horizontal surface	63858	63857	Red
Flushmount/dashboard vertical or 20 to 90° inclined surface	63860	63859 White card	Fluorescent orange
Mini-binnacle horizontal surface	White : 63862	Black : 63861	Red
Bracket-mount, horizontal or vertical surface	White : 63866	Black : 63865	Red

Accessories



Compensation : 17673



Plasticlip : 37035
Black plastic clip, allows swift and easy installation of a bracket-mount compass on any tube Ø 18.5 to 22.5 mm.



Offshore® 95



Offshore® 95

	OFFSHORE 95
Boat size	Powerboats from 6 to 10 m (19 to 33 ft)
Compass card	Conical or flat card graduated every 5°, apparent Ø 81 mm. Heading numerals every 30°.
Mounting	<ul style="list-style-type: none"> • Flushmount, on a horizontal surface. • With a bracket : mounted on a horizontal or inclined surface. Compass is removable thanks to clip-plate.
Resistance to vibrations and hull pounding	Magnetic cell equipped with the unique "Vibration Absorber" system.
Lubber line	1 lubber line.
Compensation	Supplied as standard.
Lighting	12-24 V LED.
Supplied with	Clip-plate, screws, drilling template.
Homologation	ISO 25862 compliant.

Universal balance :
around the world
with one compass.

OFFSHORE 95	flushmount	bracket
• BLACK COMPASS		
black flat card	65732	65734
black conical card	65733	65735
• WHITE COMPASS		
black flat card	65736	65739
black conical card	65737	65740
white conical card	65738	65741





Card

Outstanding legibility under all weather and light conditions for optimum comfort and accurate readings.

- Perfect stability of conical or flat card, 81 mm apparent diameter.
- Every card is balanced individually in our workshops.
- Graduation every 5°.

Lubber line

Red, for instant recognition.



Watertight construction

- One-piece moulded flange and bowl.
- Viton® diaphragm with extreme expansion and retraction capacity : compensates the fluctuations in fluid volume caused by differences in temperature and atmospheric pressure, preventing the formation of bubbles.

Materials

- All parts fully UV-ray treated.
- Scratch resistant dome.



Lighting

LED light spreads illumination evenly and prevents eye strain and fatigue at night.

Access to compensation or lighting

- Extremely easy access to compensation or lighting with unique flange-clip system.
- Compensation can be adjusted from the outside, with no need to open the compass on the bracket version.



Installation

- **Flushmount on horizontal dashboard :** compact design, interchangeable with Offshore 90 and most compasses of equivalent size.

- **Bracket :** broad and sturdy bracket base absorbing vibrations. Mounting can be done whatever the angle, provided that the compass and card unit remain horizontal at all times. Bracket-mount compass can also be removed when fitted with clip-plate.



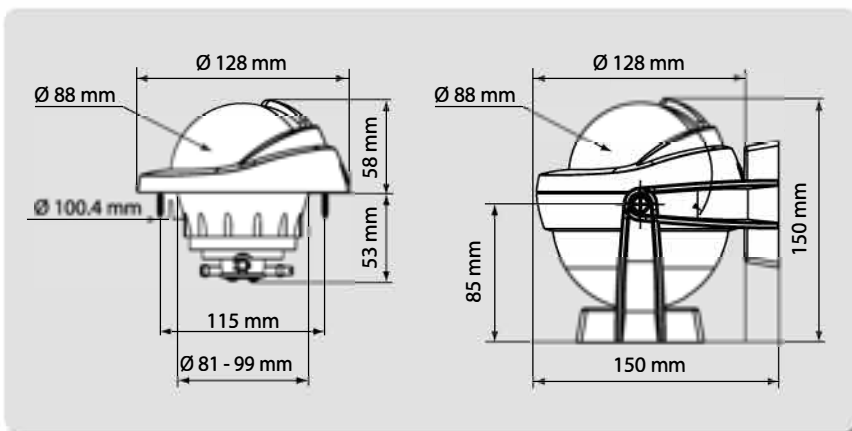
Optimum vibration-resistance for a perfect stability of the card. "Vibration Absorber" exclusive system : minimal contact between the pivot and the sapphire cup.

Options

- **Protective cover :**
white : 55402
black : 55599



- **Plasticlip : 37035**



Offshore® 115

PLASTIMO



Offshore® 115

OFFSHORE 115	
Boat size	Powerboats of 8 to 12 metres (26 to 40 ft).
Compass card	Conical or flat card graduated every 5°. Apparent Ø 101 mm. Heading numerals every 30°.
Hood	Articulated protective hood : built-in sliding cover, composed of 3 telescopic parts, with cushioned closing.
Mounting	<ul style="list-style-type: none"> • Flushmount : on a horizontal surface. • Binnacle available as option.
Resistance to vibrations and hull pounding	Magnetic cell equipped with the unique "Vibration Absorber" system.
Lubber line	1 lubber line.
Compensation	Supplied as standard.
Lighting	12-24 V LED.
Supplied with	Screws, drilling template.
Approval/homologation	SOLAS ISO 25862.



SOLAS



Universal balance :
round the world with
one compass.

OFFSHORE 115	
• BLACK COMPASS	
black flat card	60992
black conical card	60991
• WHITE COMPASS	
black flat card	60993
black conical card	60990
white conical card	60989



Watertight construction

- One-piece moulded flange and bowl.
- Viton® diaphragm with extreme expansion and retraction capacity : compensates the fluctuations in fluid volume caused by differences in temperature and atmospheric pressure, preventing the formation of bubbles.



LED lighting

- Energy saving.
- High resistance to shocks.
- Increased lifetime.
- Same bulb is suitable for 12 or 24 V power supply.

Resistance to vibrations tested by French testing laboratory LNE. "Vibration Absorber" exclusive system : Minimal contact between the pivot and the sapphire cup.



Articulated hood : built-in sliding cover composed of 3 telescopic parts with cushioned closing.



Options

• **Binnacle**



Black : 61000

White : 61001

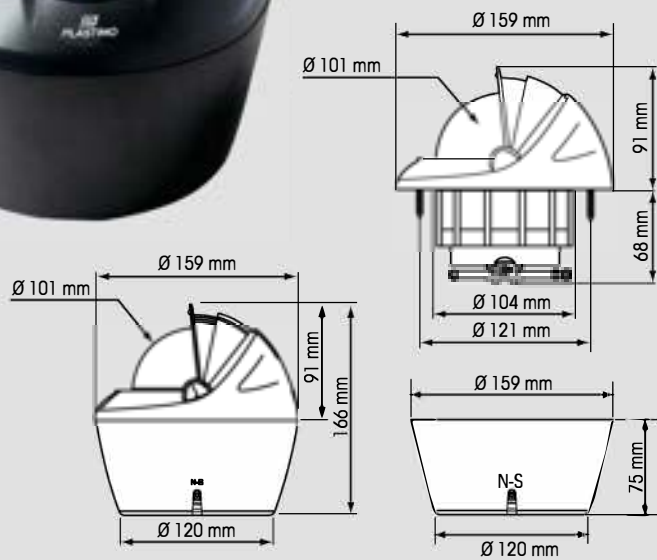
• **Protective hood**



Black : 61002

White : 61003

• **Spare LED lighting : 62037**



Offshore® 105 & 135



5-10m



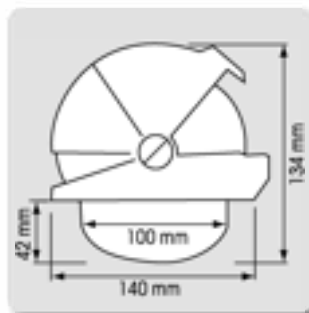
Universal balance :
around the world
with one compass

Offshore 105

	OFFSHORE 105
Boat size	Powerboats of 5 to 10 m (17 to 33 ft).
Compass card	Graduated every 5°, apparent Ø 91 mm. Heading numerals every 30°.
Hood/sunshade	Articulated protective hood : built-in sliding cover, composed of 3 telescopic parts.
Mounting	Comes as standard in a flushmount version. Can be bracket-mounted with the addition of optional bracket.
Resistance to vibrations and hull pounding	Magnetic cell mounted on shock absorbers.
Lubber line	1 lubber line.
Compensation	Supplied as standard.
Lighting	12-24 V. LED
Approval/homologation	ISO 25862 compliant.

Built-in articulated hood : slide it gradually on the compass to adapt to the light and avoid glare on the dome. When totally shut, your compass is perfectly protected.

The optional bracket provides additional mounting possibilities, either on a horizontal dashboard or on a vertical bulkhead.

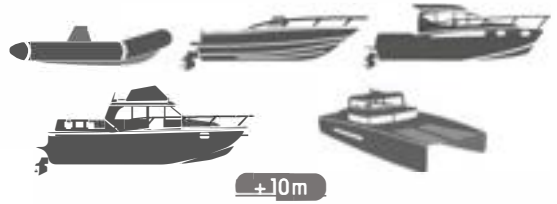


OFFSHORE 105	Flushmount
• BLACK COMPASS	
black flat card	65004
black conical card	65001
• WHITE COMPASS	
black flat card	65005
black conical card	65002
white conical card	65003

A **bracket-mount compass** consists in one flushmount compass, plus one bracket kit (indicate both references when ordering).



SOLAS



Offshore 135

The famous Offshore compass with built-in articulated hood, most popular on open dayboats, RIB's, power cruisers and catamarans.

Flush- or bracketmount, it adapts to all steering pods or dashboards and offers optimal readability. Magnetic cell construction features shock absorbers for added resistance to vibrations and hull pounding.



Bracket for Offshore 105 & 135



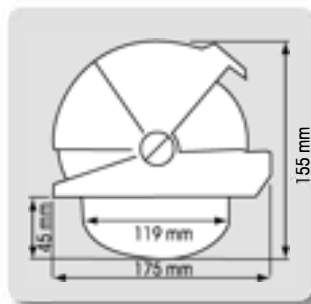
The optional bracket makes bulkhead mounting easier while avoiding to cut the dashboard. The bracket slides onto a fixing plate, allowing easy removal.

The bracket kit includes the actual bracket and the adequate screws.

	For Offshore 105	For Offshore 135
Black bracket	17268	17260
White bracket	17267	17262

	OFFSHORE 135
Boat size	Powerboats of 10 m and above (33 ft +).
Compass card	Graduated every 5°, apparent Ø 130 mm. Heading numerals every 30°.
Hood / sunshade	Articulated protective hood : built-in sliding cover, composed of 3 telescopic parts.
Mounting	Comes as standard in a flushmount version. Can be bracket-mounted with the addition of optional bracket.
Resistance to vibrations and hull pounding	Magnetic cell mounted on shock absorbers.
Lubber line	1 lubber line.
Compensation	Supplied as standard.
Lighting	12-24 V. LED
Homologation	SOLAS ISO 25862

Universal balance on flat card models



OFFSHORE 135	Flushmount
• BLACK COMPASS	
black flat card	65350
black conical card	23484
• WHITE COMPASS	
black flat card	65524
black conical card	23493

A **bracket-mount compass** consists in one flushmount compass, plus one bracket kit (indicate both references when ordering).

Accessories for compasses

Protective covers



For sailboat compasses

For compass	Colour	Reference
A Mini-Contest (before 2009)	White	17308
B Mini-Contest & Olympic 95	White	55402
	Black	55599
C Mini Contest Navman/AdvanSea	White	29361
D Olympic 100	White	17287
- Contest 100	-	17302

For compass	Colour	Reference
E Contest 101	Grey	25332
F Contest 130	White	17296
G Olympic 115	Black	61004
	White	61005
H Olympic 135 black, with screws	Black	29403
	White	29404
I Horizon 135	White	17280

For power boat compasses



For compass	Colour	Reference
- Offshore 90	Black	17630
	White	17668
A Offshore 95	Black	55599
	White	55402



For compass	Colour	Reference
B Offshore 105	Black	14451
	White	14450
C Offshore 115	Black	61002
	White	61003
D Offshore 135	Black	14453
	White	14452

Binnacles

For compass	Colour	Reference
A Offshore 115 /Olympic 115	Black	61000
	White	61001
B Olympic 135 Olympic 135 compensable*	White	10301
	-	42131*
C Horizon 135 /Olympic 135 Open	White	10300

*Whitlock binnacle



Flanges

For compass	Colour	Reference
A Mini-C	Black	70229
	White	70230
B Offshore® 55	Black	70231
	White	70232
	Orange	70233
C Offshore® 75	Black	70235
	White	70234
D Olympic Mini-B	Black	70240

For compass	Colour	Reference
E Olympic & Offshore® 95	Black	70237
	White	70236
F Mini-Contest 95	Black	70244
	White	70245
G Mini-Contest Advansea	Black	70241
H Olympic 115	Black	70247
	White	70246
I Olympic 135	Black	70239
J Olympic 135 open	White	70238

Lighting



- **Compass manufactured since 2016 12/24 V LED light : 62037**
(including Offshore 115 & Olympic 115 since 2014)

LED lighting :

All Plastimo compasses are now equipped with LED lights providing 70% energy saving and increased resistance to shocks. LED lights also have an increased lifetime and are suitable for both 12 and 24 V power supply.

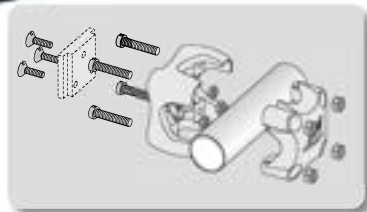
For rail or pushpit mounting



Plasticlip for compass

- **Black : 37035**
- **Light grey : 37036**

Ideal to fix compasses Offshore 75 Mini-binnacle, Offshore 75 and Offshore 95 equipped with a bracket.



Compensation

Mini-Contest, Contest 101 & 130,
Mini-B, Offshore 75
17673



Bulkhead or dashboard mounting

Brackets



Brackets for	Reference
Offshore 70	14444
Offshore 75 white	55579
Offshore 105 black	17268
Offshore 105 white	17267
Offshore 135 black	17260
Offshore 135 white	17262
Contest 130 black	38473
Contest 130 white	38474

Beyond a simple aesthetic preference, the bracket mounting offers the extra advantage of isolating the compass from the dashboard, thus reducing the potential interference created by other instruments and metallic objects.

Plastimo answers your questions

Should I choose my compass according to my navigation area ?

All our compasses are balanced manually : with a standard procedure. They are now world balanced and suitable for all areas around the world. Double-dip compass designed to operate accurately in both Northern and Southern hemispheres. Balancing the compass consists in adjusting the card so that it is perfectly horizontal.

My boat is equipped with a GPS. Is a magnetic compass really useful ?

A magnetic compass indicates the boat's course in real time. This information comes as a complement to the GPS data. Also bear in mind that a magnetic compass remains fully operational even in the event of an electrical failure on board, which would prevent you from relying on your GPS. The magnetic compass is therefore a major safety element on board.

My boat has a steel or ferrocement hull. Which compass should I choose ?

No compass can answer this specific requirement alone. It is necessary to call for the services of a professional compass adjuster who will set up a compensation system relevant to your boat.

Does my compass need to be compensated ?

Magnetic fields generating interference on the compass performance exist on all boats. The impact on the compass, called "deviation", can originate from many different sources : metallic masses, loudspeakers, engine, electronic instruments...

If deviation ranks between 7 and 20°, your compass should indeed be compensated. Most of our compasses are designed to be user-compensated. Please refer to "Deviation and Compensation" chapter in our catalogue.

Another question ?

most answers to be found on... www.plastimo.com

Around the world with my compass

UNIVERSAL BALANCE : around the world with one compass

The recent generations of Plastimo compasses are balanced to sail around the world with one single compass.

So much easier for the round-the-world racer or the boater on a world passage, so much simpler too for the boatbuilder who selects one single compass, whatever the final destination of the boat.

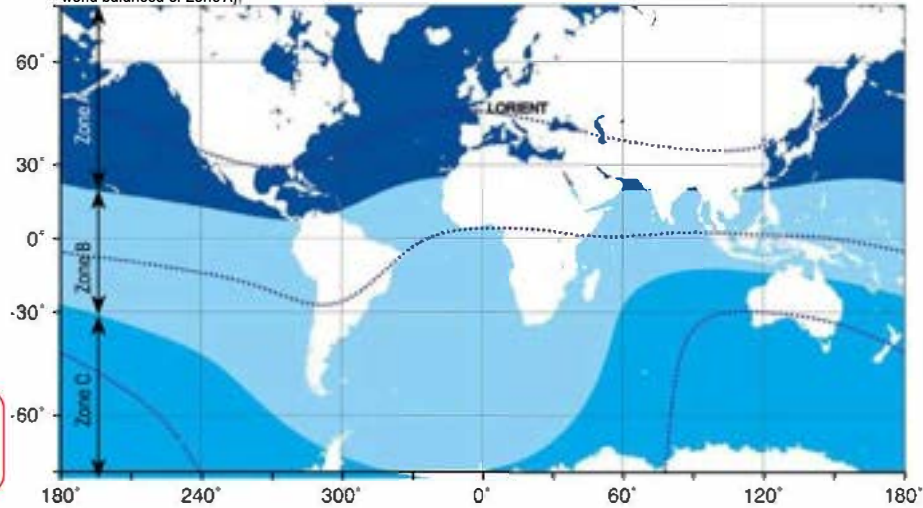
ITALIC references

Universal compass, one single part number to sail around the world.

Zone A North hemisphere (apart from this page, all compass part numbers in our catalogue are either world balanced or Zone A).

Zone B South Atlantic, Indian Ocean, Central Pacific, Tahiti, Reunion Island.

Zone C South Pacific, Australia, New Zealand, New Caledonia.



Description	Zone A	Zone B	Zone C
Offshore 55, bracket mount, black, black card	World : 63854		
Offshore 55, bracket mount, white, white card	World : 63855		
Offshore 55 kayak, orange, black card	World : 63856		
Offshore 75 horizontal flush, black	World : 63857		
Offshore 75 horizontal flush, white	World : 63858		
Offshore 75 vertical flush, black	63859	63859	48843
Offshore 75 vertical flush, white	63860	63860	48847
Offshore 75 mini-binnacle, black	World : 63861		
Offshore 75 mini-binnacle, white	World : 63862		
Offshore 75 basic, mini-binnacle, white, black card	World : 63863		
Offshore 75 basic bracket mount, white, black card	World : 63864		
Offshore 75 bracket mount, black	World : 63865		
Offshore 75 bracket mount, white	World : 63866		
Offshore 95 black, black flat card, flushmount	World : 65732		
Offshore 95 black, black conical card, flushmount	World : 65733		
Offshore 95 black, black flat card, bracket	World : 65734		
Offshore 95 black, black conical card, bracket	World : 65735		
Offshore 95 white, black flat card, flushmount	World : 65736		
Offshore 95 white, black conical card, flushmount	World : 65737		
Offshore 95 white, white conical card, flushmount	World : 65738		
Offshore 95 white, black flat card, bracket	World : 65739		
Offshore 95 white, black conical card, bracket	World : 65740		
Offshore 95 white, white conical card, bracket	World : 65741		
Offshore 105 black, black flat card	World : 65004		
Offshore 105 black, black conical card	World : 65001		
Offshore 105 white, black flat card	World : 65005		
Offshore 105 white, black conical card	World : 65002		
Offshore 105 white, white conical card	World : 65003		
Offshore 115 black, black flat card	World : 60992		
Offshore 115 black, black conical card	World : 60991		
Offshore 115 white, black flat card	World : 60993		
Offshore 115 white, black conical card	World : 60990		
Offshore 115 white, white conical card	World : 60989		
Offshore 135 black, black flat card	World : 65350		
Offshore 135 black, black conical card	23484	23485	23486
Offshore 135 white, black flat card	World : 65524		
Offshore 135 white, black conical card	23493	23494	23495
Contest 101 black, black card, standard	World : 64421		
Contest 101 black, black card, inclined bulkhead	World : 64422		
Contest 101 black, red card, std	World : 64416		
Contest 101 black, red card, inclined bulkhead	World : 64418		
Contest 101 white, red card, std	World : 64417		
Contest 101 white, red card, inclined bulkhead	World : 64419		
Contest 101 white, white card, std	World : 64423		
Contest 101 white, white card, inclined bulkhead	World : 64424		
Contest 130 black, black card, std	39669	39670	39671
Contest 130 black, black card, inclined bulkhead	40034	40035	40036

Description	Zone A	Zone B	Zone C
Contest 130 black, red card, std	17291	19296	19299
Contest 130 black, red card, inclined bulkhead	17292	19309	19317
Contest 130 black, red card, bracket	17293	19328	19332
Contest 130 white, red card, std	17294	19844	19854
Contest 130 white, red card, bracket	17295	19868	19871
Mini-Contest black, conical card	World : 65742		
Mini-Contest white, conical card	World : 65743		
Mini-Contest AdvanSea, black	28976	29021	29022
Olympic 95 flushmount	World : 65751		
Olympic 100 flushmount, black card	World : 64763		
Olympic 100 flushmount, red card	World : 64762		
Olympic 115 black, black flat card, std	World : 60997		
Olympic 115 black, black conical card, std	World : 60913		
Olympic 115 black, black conical card, inclined surface	World : 60999		
Olympic 115 white, black flat card, std	World : 60996		
Olympic 115 white, black conical card, std	World : 60912		
Olympic 115 white, black conical card, inclined surface	World : 60998		
Olympic 115 white, white conical card, std	World : 61205		
Olympic 135 black+binnacle, red card	World : 65530		
Olympic 135 black+binnacle, black card	World : 65529		
Olympic 135 white+binnacle, red card	World : 65532		
Olympic 135 white+binnacle, black card	World : 65531		
Olympic 135 black, red card	World : 65533		
Olympic 135 black, black card	World : 65476		
Olympic 135 white, red card	World : 65535		
Olympic 135 white, black card	World : 65534		
Olympic 135 Open, red card	World : 65523		
Olympic 135 Open, black card	World : 65514		
Olympic tactical	17250	18991	18998
Contest 101 tactical	World : 64425		
Iris 100 tactical, blue	World : 63867		
Mini-C black	World : 63868		
Mini-C white	World : 63869		
Mini-B Olympic	17233	20161	20164
Doris compass	World : 66485		
Iris 50 blue	63870	63870	21809
Iris 50 yellow	63871	63871	24049
Iris 50 olive green	63873	63873	38181
Iris 50 orange	63599	63599	63600
Iris 50 sand	63603	63603	63604
Iris 100 blue	World : 63874		
Iris 100 blue + lighting	World : 63875		
Iris 100 yellow	World : 63876		
Iris 100 yellow + lighting	World : 63877		

Consoles and seat

Plastimo polyester consoles are designed for a dynamic ride for the pilot and optimum comfort for the crew on board RIB's.



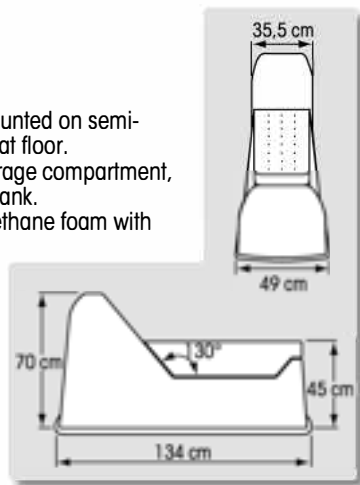
Jockey console

56080

For RIBs from 3 metres.

This 2-seat console can be mounted on semi-rigid tenders with a polyester flat floor. Seat lifts open to provide a storage compartment, ideal for instruments and fuel tank. Supplied with cushion (polyurethane foam with leather-style upholstery).

Overall length at base : 134 cm.
Overall width : 49 cm.
Overall height : 70 cm.

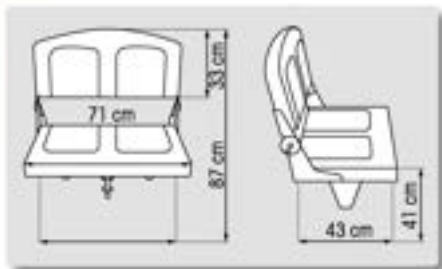


Back seat with cushions

67145

For RIBs from 3.10 m to 4 metres.

This back seat can be mounted on semi-rigid tenders from 3.10 m to 4 metres with a polyester or aluminum flat floor. Supplied with cushions (polyurethane foam with leather-style upholstery). Dimensions at base 62 X 43 cm. Overall height 87 cm (raised back).

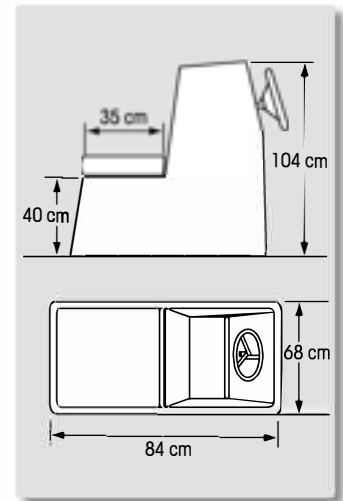


Steering console

56081

For RIBs from 4 to 6 metres.

This console can be mounted on semi-rigid tenders with a polyester flat floor. Features a stainless steel grab handle, a windscreen, a seat and a storage compartment. Supplied with cushion (polyurethane foam with leather-style upholstery). Overall length at base : 73 cm. Overall width : 66.5 cm. Overall height : 137 cm.

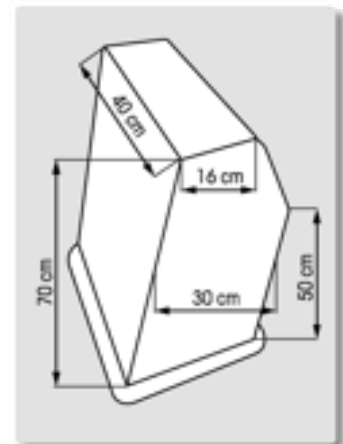


Steering console

67144

For RIBs from 3.10 m to 4 metres.

This console can be mounted on semi-rigid tenders from 3.10 m to 4 metres with a polyester or aluminum flat floor. Storage compartment included. Dimensions at base 30 X 40 cm. Height 70 cm.



Deck hatches & Portlights



Aluminium deck hatches



Deck hugging design.
Anodised aluminium or raw aluminium finish ready-to-paint and create a homogeneous overall deck.

Building on the success of its satin aluminium frame and acrylic glass hatches, Plastimo extends its range with **100 % aluminium** models -with solid no see-through cover.

Constantly responsive to boatbuilder's needs, the Plastimo R&D has developed a specific design that replaces the see-through acrylic glass by a solid aluminium panel, with the same easy installation that is so popular with OEM partners.

This solid aluminium hatch, fully walkable version is particularly **suitable for high traffic deck and designs where sturdiness prevails over light inside.**



Opening device :

The ergonomic shape of the handles allows comfortable space for an excellent prehension. They feature a lock catch which prevents breaking in from outside. No need to fit any other locking system from outside.



- Aluminium invisible hinges.
- Opening possible up to 180°.
- Inside lock catch system.



All models are equipped with adjustable stay. Adjustable opening is as simple as releasing the stay to obtain the right position.

Navigation	Features	Lid	Lower frame	Assembly	CE areas for location onboard
Coastal or blue water cruising	Deck-hugging profile, opens outwards with stays	Extrusion	Extrusion	With screws	II, III & IV All categories

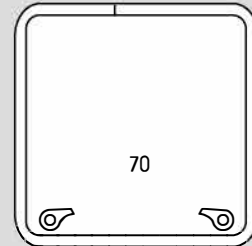
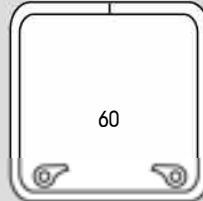
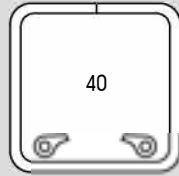
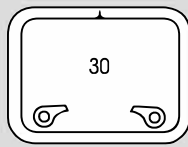
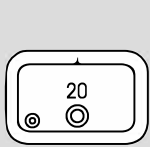
Areas on board as per 94/25 EC standard :

- Zone I : hull above waterline
- Zone II : deck, coachroof, cockpit and transom
- Zone IIb : hull sections other than area I
- Zone III : superstructure, deck and cockpit
- Zone IV : cockpit and deck, rear sides of superstructure.


All aluminium deck hatches

Size	Raw aluminium	Anodised aluminium	External dimensions		Internal dimensions		Cut-out dimensions		Weight kg
			mm	in.	mm	in.	mm	in.	
20	-	68991	407 x 262	16 x 10.3	345 x 200	13.6 x 7.9	347 x 202	13.7 x 8	3.1
30	67923	68992	517 x 387	20.4 x 15.2	455 x 325	17.9 x 12.8	457 x 327	18 x 12.9	5.2
40	68782	68993	481 x 481	18.9 x 18.9	419 x 419	16.5 x 16.5	421 x 421	16.6 x 16.6	5.8
60	67924	-	567 x 567	22.3 x 22.3	505 x 505	19.9 x 19.9	507 x 507	20 x 20	7.4
70	67925	67929	687 x 687	27 x 27	625 x 625	24.6 x 24.6	627 x 627	25 x 25	10.2

Sizes 60 and 70 are suitable and **regulation-compliant** for use as escape hatches (zone 2b).



Option



Interior trim :

- Size 20 : 64175
- Size 30 : 64176
- Size 40 : 64177
- Size 60 : 64180
- Size 70 : 65473

Stainless steel hatch



316 L stainless steel watertight hatch, designed primarily for livewells on recreational or professional fishing boats. Equally suitable for workboats or any application where **watertightness combined with sturdiness** is a prerequisite feature.



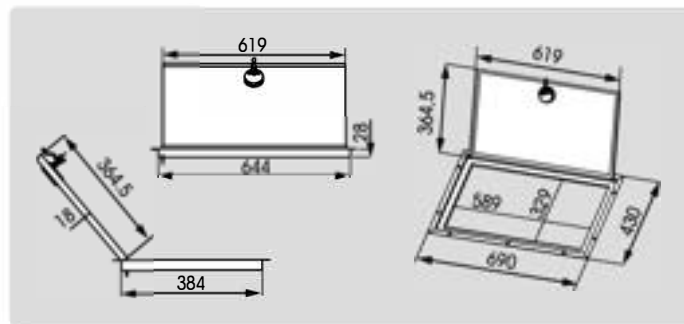
Hatch can be pimped with a teak panel for awesome deck style.

316 L st. steel hatch 66927

DESIGNED BY
PLASTIMO

- Flushmount design suitable for RIBs or any power boat.
- 2.5 mm thickness : hatch is walkable with no mechanical strain.
- Perfectly watertight when closed.
- Premium st. steel fastening system contributes to watertightness.
- Overall dimensions on deck : 690 x 430 mm.

Hatch comes with a kit of anti-slip pads and 3 M® double-sided adhesive tape.



Deck hatches

The range of Plastimo deck hatches combines optimum watertightness, easy installation and stylish looks :

- satin-finish aluminium frame and grey acrylic glass,
- invisible hinges,
- one-piece aluminium lid with a thick frame section to provide optimum rigidity,
- deck-hugging lid height, as slim as 19 mm to accommodate teak decks.



Opening device

The ergonomic shape of the handles allows comfortable space for an excellent prehension. They feature a lock catch which prevents breaking in from outside. No need to fit any other locking system from outside.



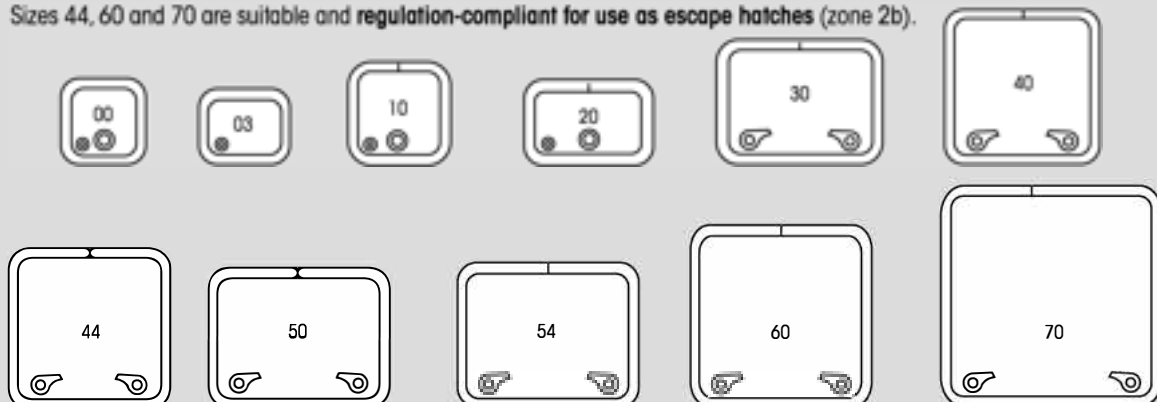
All models are equipped with adjustable stay. Adjustable opening is as simple as releasing the stay to obtain the right position. Aluminium hinges.

Navigation	Features	Lid	Lower frame	Assembly	CE areas for location onboard
Coastal or blue water cruising	Deck-hugging profile, opens outwards with stays	Extrusion	Extrusion	With screws	II, III & IV All categories

Areas on board as per 94/25 EC standard of 16 June 1996 :

- Zone I : hull above waterline
- Zone II : deck, coachroof, cockpit and transom
- Zone IIb : hull sections other than area I
- Zone III : superstructure, deck and cockpit
- Zone IV : cockpit and deck, rear sides of superstructure.

Sizes 44, 60 and 70 are suitable and regulation-compliant for use as escape hatches (zone 2b).



Aluminium / acrylic deck hatch

Sizes available are standards commonly installed by the industry on mass production boats.

- Acrylic thickness 10 mm
- Telescopic stay
- Aluminium hinges
- Height below deck : 15 mm
- Radius 42.5 mm (1.7").

Hatches must be mounted on a flat surface, allowing ± 1 mm clearance.



Size	Ref.	External dimensions		Internal dimensions		Cut-out dimensions		Weight kg
		mm	in.	mm	in.	mm	in.	
00	63881	271 x 271	10.7 x 10.7	209 x 209	8.2 x 8.2	211 x 211	8,3 x 8.3	2.1
03	63882	291 x 236	11.5 x 9.3	229 x 174	9.0 x 6.8	231 x 176	9.1 x 6.9	2.2
10	63883	320 x 320	12.6 x 12.6	258 x 258	10.1 x 10.1	260 x 260	10.2 x 10.2	2.7
20	63884	407 x 262	16 x 10.3	345 x 200	13.6 x 7.9	347 x 202	13.7 x 8	3.1
30	63886	517 x 387	20.4 x 15.2	455 x 325	17.9 x 12.8	457 x 327	18 x 12.9	5.2
40	63887	481 x 481	18.9 x 18.9	419 x 419	16.5 x 16.5	421 x 421	16.6 x 16.6	5.8
44	63888	502 x 502	19.8 x 19.8	440 x 440	17.3 x 17.3	442 x 442	17.4 x 17.4	6.3
50	63889	567 x 437	22.3 x 17.2	505 x 375	19.9 x 14.7	507 x 377	20 x 14.8	5
54	63890	567 x 452	22.3 x 17.8	505 x 390	19.9 x 15.3	507 x 392	20 x 15.4	6.8
60	63891	567 x 567	22.3 x 22.3	505 x 505	19.9 x 19.9	507 x 507	20 x 20	7.4
70	63893	687 x 687	27 x 27	625 x 625	24.6 x 24.6	627 x 627	25 x 25	10.2

Options



Interior trim for deck hatch

- Size 0 : 65470
- Size 3 : 65471
- Size 10 : 64174
- Size 20 : 64175
- Size 30 : 64176
- Size 40 : 64177
- Size 44 : 64178
- Size 50 : 65472
- Size 54 : 64179
- Size 60 : 64180
- Size 70 : 65473



Creeping Crack Cure liquid sealant

- 60 ml bottle : 1260100
- 250 ml bottle : 1260250

Joint for panel : 67118
Length: 2.46 mm

Ready-to-use Speed Grip adhesive anti-slip foam see page 639.

Portlights

- Satin-finish aluminium frame.
- Grey acrylic glass, 10 or 15 mm thick (13/32" or 19/32").
- Perfect watertightness with a one-piece thick frame section and a double contact seal system.
- One universal model accepts an extensive range of bulkhead or hull thickness : 5 to 33 mm (3/16" to 1" 1/4).
- Optimum visibility with handle positioned on lower part (2 handles on T.04 ref. 63898).



Navigation	Features	Lid	Lower frame	Assembly	CE areas for location onboard
Coastal or blue water cruising	Stylish design, large opening	Acrylic	Extrusion	Frame and backplate mounted from inside	IIb, III & IV Deck, roof and cockpit areas

Areas on board as per 94/25 EC standard of 16 June 1996 :
 Zone I : hull above waterline
 Zone II : deck, coachroof, cockpit and transom
 Zone IIb : hull sections other than area I
 Zone III : superstructure, deck and cockpit
 Zone IV : cockpit and deck, rear sides of superstructure.



Easy mounting

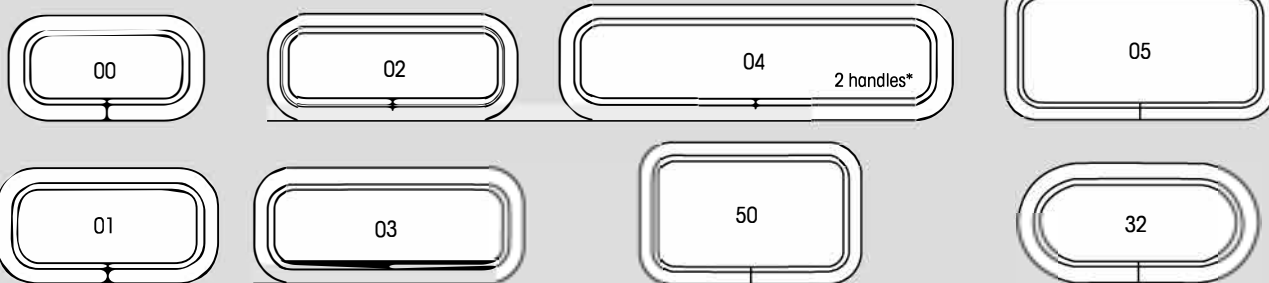
Clever reversible backing plate helps covering an extensive range of bulkhead or hull thickness : 5 to 33 mm (3/16" to 1" 1/4). Tapping for screw \varnothing M4 (not included).

Opening device

Plastimo portlights feature adjustable friction hinges. Twin handles even out the pressure all around the seal and thus guarantee an excellent watertightness.



Radius : all models have a 56 mm - 2.2" radius (except Size 32 : radius 87.5 mm - 3.4").



*1 handle on all models, except 2 handles on T.04 ref. 63898.

Shape	Size	Ref.	External dimensions		Internal dimensions		Cut-out dimensions		Acrylic thickness	Weight kg
			mm	in.	mm	in.	mm	in.		
Rectangular	00	63894	325 x 178	12.8 x 7	301 x 154	11.8 x 6	303 x 156	11.9 x 6.1	10 mm	1.8
	01	63895	369 x 193	14.5 x 7.6	345 x 169	13.6 x 6.6	347 x 171	13.7 x 6.7	10 mm	2
	02	63896	427 x 178	16.8 x 7	403 x 154	15.8 x 6	405 x 156	15.9 x 6.1	15 mm	2
	03	63897	451 x 193	17.8 x 7.6	427 x 169	16.8 x 6.6	429 x 171	16.9 x 6.7	15 mm	2.7
	04	63898	649 x 193	25.6 x 7.6	625 x 169	24.6 x 6.6	627 x 171	24.7 x 6.7	10 mm	3.8
	05	63899	451 x 266	17.8 x 10.5	427 x 242	16.8 x 9.5	429 x 244	16.9 x 9.6	15 mm	3.4
Oval	50	63901	369 x 273	14.5 x 10.7	345 x 249	13.6 x 9.8	347 x 251	13.7 x 9.9	10 mm	3
	32	63900	397 x 197	15.6 x 7.8	373 x 173	14.7 x 6.8	375 x 175	14.8 x 6.9	10 mm	2

Deck showers & hose



Taps

Model	Ref.	Features
A Cold water	50160	Chrome plated brass
B Mixer tap	45601	Chrome plated brass. Comes with 20 cm 3-hose connectors.



Shower heads

½" threaded shower head with trigger.

Model	Material	Chrome	White
Short	ABS	62099	62098
Long	Chrome-plated metal	62100	-



Shower head with hose

3 m : **62096**

5 m : **62097**

For flushmount installation on the deck or as transom shower.

Accessory

• Threaded hose for shower spray head
1/2"-3/8". Length 3 m : **62101**

Shower heads with hose and holder



Model	Shower head colour	Ref.	Holder	Hose	Shower head only	Holder only	Hose only
With flange	A White	419767	Plastic with chromed flange	Plastic. ¾". Length 2 m.	419278	-	402818
	B Black	416653	Plastic with chromed flange	Plastic. ¾". Length 2 m.	419279	-	402818
With housing	C White Chrome	402813*	Plastic housing Ø 57 mm for flushmounting.	Plastic. ¾". Length 2 m.	429008	429018	402818

*spare plug : 417834

Electric bilge pumps



PLASTIMO



Electric diaphragm pump, for bilge, livewell and waste waters

A comprehensive range of self-priming pumps, specifically designed to drain the bilge, livewell, heads, shower or sink.

No filter is needed; pump can therefore operate with no risk of seizing up the outlet pipes. These pumps also allow the temporary storage of waste water in a tank (see WC page).

Specially designed for the boaters' needs, the electric motor features low power consumption. It is easy to mount in **2 positions (horizontal or vertical)** and oriented in 8 different directions. This adds flexibility, especially when installing the pump in a small volume area.



The electric bilge and waste pumps feature the same advantages as the manual pump, i.e.: choice of outlets (18561 and 18562 models), quick release inspection lid for added safety.

Options

• Kit of 2 straight outlets : 17491

• Kit of 2 elbow outlets : 17492

• Hose Ø 38 mm, length 10 m : 44896

Model	Voltage	Ref.	Open flow	Hose Ø	Cons.	Max. fuse	Weight
Built-in outlets	12 V	18556	35 L/min	38 mm	6 Amp.	20 Amp.	3.5 kg
Screw-on outlets*	12 V	18561	35 L/min	38 mm	6 Amp.	20 Amp.	3.5 kg
Built-in outlets	24 V	18557	35 L/min	38 mm	3 Amp.	10 Amp.	3.5 kg
Screw-on outlets*	24 V	18562	35 L/min	38 mm	3 Amp.	10 Amp.	3.5 kg

* Choice of outlets : straight or elbow (see options).

Enclosures

Fire extinguisher storage cases

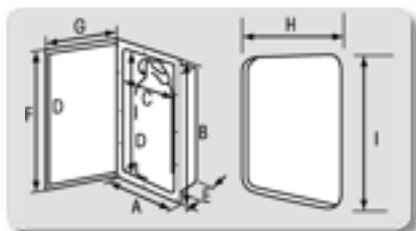
Allow safe and protected storage of a fire extinguisher in the cockpit or dashboard. UV-resistant white ASA.

Storage case for 1 kg extinguisher.
Cut-out dimensions :
124 x 374 mm.



Model	Ref.
A without door	50006
B with transparent door	196666
C with solid door	196461

Dimensions (mm)									
A	B	C	D	E	F	G	H	I	
174	424	120	370	105	434	196	124	374	



Fire blanket

65757



Fibreglass fire blanket in rigid ABS container. Complies with BS EN 1869 standard.
Blanket : 1 m x 1 m.
Material is continuous filament glass cloth.
Container : 203 x 177 x 46 mm.
Pull twin tabs to operate.



Sinks & washbasins

Stainless steel sinks



A



B



C



D

Round st. steel sinks

Ref.	Description	Material	Finish	Internal dimensions
A 18371	Bowl sink	St. steel 18/10	Mirror polish	Ø 269 mm x depth 120 mm
B 18373	Straight vertical edges	St. steel 18/10	Mirror polish	Ø 300 mm x depth 180 mm
C 18374	Straight vertical edges	St. steel 18/10	Mirror polish	Ø 360 mm x depth 150 mm
D 419234	Bowl sink	St. steel 302	Smooth satin	Ø 260 mm x depth 130 mm
410626				Ø 300 mm x depth 145 mm

For bungs,
see page 466.



Rectangular st. steel sink

Comes complete with plug, chain and waste.

Ref.	Descrip.	Ext. dim.	Int. dim.	Depth	Waste Ø
418955	St. steel 302	320 x 350 mm	300 x 330 mm	150 mm	53 - off-centered



Stainless steel oval sink

Ref.	Overall dimensions L x W x D	Internal dimensions L x W x D
27292	385 x 265 x 130 mm	360 x 240 x 130 mm

Double sink

Double sink made from 302 stainless steel.
Waste not supplied, without overflow.



Ref.	Description	Overall dim.	Bowl 1	Bowl 2	Depth	Waste Ø
A 426254	Large bowl on the left	608 x 368 mm	330 x 330 mm	235 x 330 mm	200 mm	53 mm - off-centered
B 428306	Large bowl on the right	608 x 368 mm	235 x 330 mm	330 x 330 mm	200 mm	53 mm - off-centered



Stainless steel custom sinks

Stainless steel sinks, which in themselves make a very attractive addition to any galley. They can be fitted together in different combinations, allowing you to plan your galley to suit your own particular needs.

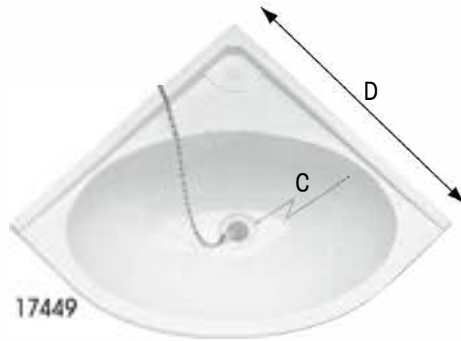
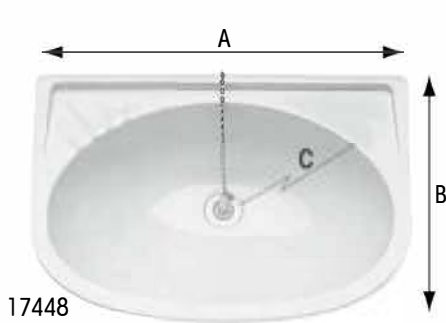
Ref.	Overall dimensions L x W x D	Internal dimensions L x W x D
A 10746	320 x 260 x 150 mm	300 x 236 x 150 mm
B 418953	320 x 170 x 150 mm	300 x 150 x 150 mm
C 10748	350 x 320 x 150 mm	330 x 300 x 150 mm
D 418957	350 x 249 x 150 mm	330 x 236 x 150 mm

10746	418953
-------	--------

10748	418953
-------	--------

10748	10746
-------	-------

Plastic sinks



Polypropylene, shock and stain resistant.
Supplied without waste.

Ref.	Description	Waste outlet Ø	A	B	C	D
A 17448	Washbasin	25 mm	395 mm	275 mm	130 mm	-
B 17449	Angle washbasin	25 mm	470 mm	300 mm	130 mm	330 mm

Accessory



Waste : 17450
Ø 28 mm.
For sinks 17448 & 17449,
includes plug and chain.

Wastes for sinks



Ref.	Description	Outlet Ø
A 402470	Plastic elbow waste Ø 53 mm.	25 mm
A 402485	Ø 53 mm special shower waste. Without plug, grille plate.	25 mm
B 423618	Straight waste Ø 55 mm. For round stainless steel sinks 419234, 410616, 419233, 418960.	Threaded outlet 38 mm
C 416661	Elbow plastic waste Ø 53 mm.	32 mm
D 416662	Straight plastic waste Ø 53 mm.	32 mm
E 70592	Plastic elbow waste + Plug	20-25 mm

Pipes and connectors

Ref.	Description
A 428912	1 ½" x 40 mm straight outlet pipe.
A 410652	1 ¼" x 32 mm elbow outlet pipe.
B 410654	1 ½" - 1 ¼" reducer.
C 426253	Nylon male/female straight connector. 1 ¼" x 20 mm.

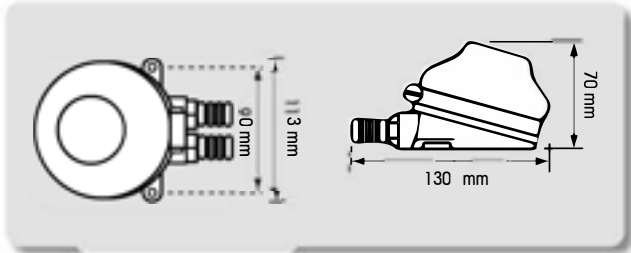


Waterpumps

Baby foot pump 26951

Foot pressure is applied to the top of the synthetic rubber diaphragm.

- Flow rate : 3.4 litres/min.
 - Hose diameter : 10 mm.
- For use with swivel faucets 412967, 412932 & 412933.

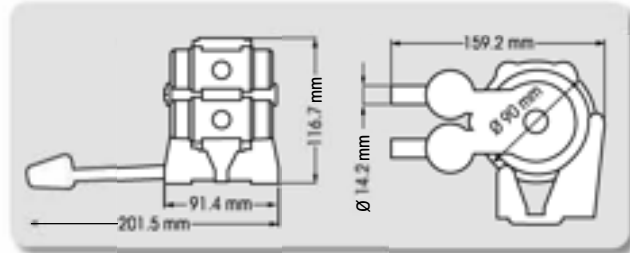


Double action foot pump 17494

Foot operated pump, self-priming and double acting. Can be installed inside a locker space with the pedal only projecting.

Pump body in Delrin, springs in stainless steel. Positioning is easy with quick adjustable hose connection.

- Flow rate : 15 litres/min.
- Hose diameter : 1/2" (12.7 mm).

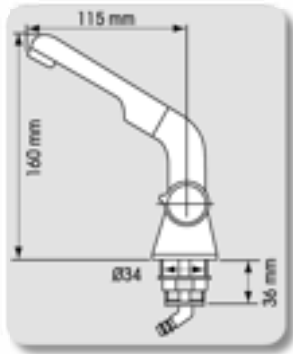


Taps and faucets

Faucets with spout

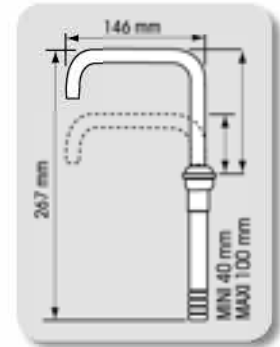
Swivel faucet 27304

Colour light grey. 45° pivoting base, swivelling spout. Only one water inlet. 3/8" connection, hose Ø 10 mm. For use with footpump 26951. Pressure : 2.5- 3 bar.



Telescopic swivel faucet 412967

Telescopic swivel faucet. Swivels through 360°. Includes a nylon adjustable shutter. Materials : anodized aluminium alloy and plastic. For hose Ø 10 -15 mm. For use with foot pump 26951.



Chrome brass faucet

Ref.	Description
A 414932	Swivelling base. Ø 12 mm pipe. Height : 80 mm.
B 414933	Swivelling base. Ø 12 mm pipe. With ¼ turn nickel plated spout. Height : 50 mm.



Cold water taps

Spray tap 28768

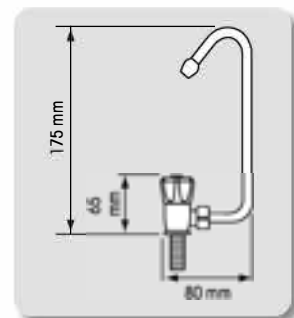
Colour white. Swivelling spout. One knob : one water inlet (cold). Pressure : 2.5 - 3 bar. 3/8" connection.



For a simple and efficient water supply on board, use tap 28768 in conjunction with a water pump (see Water Pumps pages).

Waterpump sold separately.

Folding tap 39462



Mixer taps

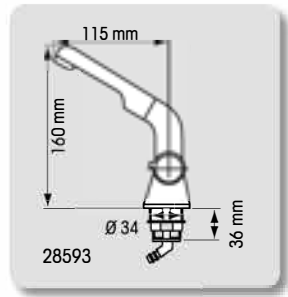


402610



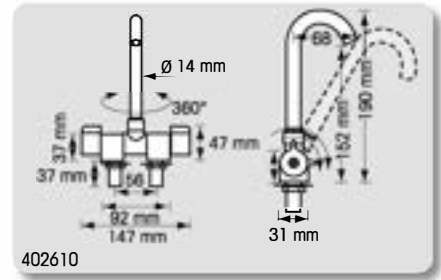
Spray nozzle for even water flow.

28593



White swivel mixer tap

Ref.	Designation
28593	2-knob tap (hot/cold). Swivelling base and spout. Pressure : 2.5 - 3 bar.
402610	2-knob tap (hot/cold). Folding and directional spout. Ceramic mechanism. Body, spout and handle in white lacquered brass. Equally suitable for indoor or outdoor use.

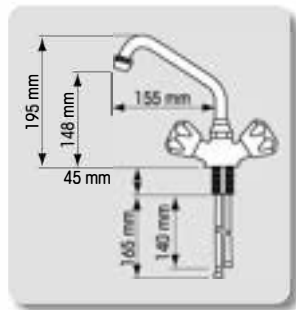


402610

Swivel mixer tap

39464

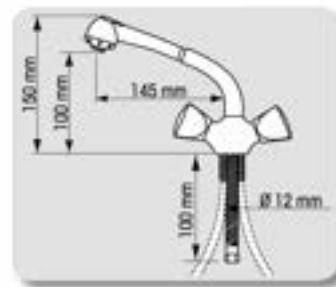
Spout swivels on 360°. Supplied with 2 x 30 cm metal plumbing hose and screw-type connectors.



Mixer tap with shower head

39465

Can be used as a shower or as a standard tap. Shower comes with 1.50 m. Swivelling shower base.

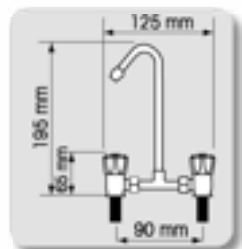


Supplied with 2 x 30 cm metal plumbing hose and screw-type connectors.

Fold-down mixer tap

39463

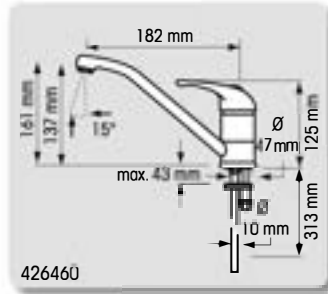
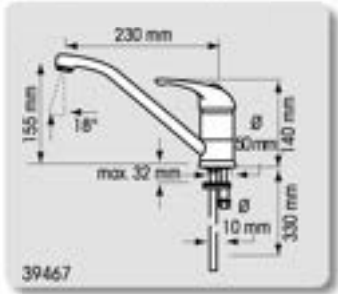
Brass plated.



Mixer taps

Mixer tap with long spout 39467

Spout swivels on 360°.
Supplied with 2 x 35 cm
metal plumbing hose and
screw-type connectors.

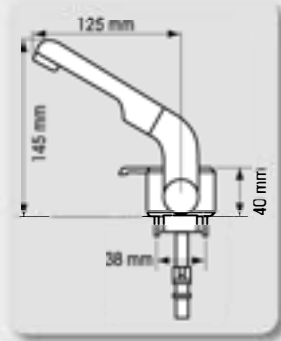


Long mixer tap 426460

With 25 mm flexible hose.

Swivel mixer tap 27299

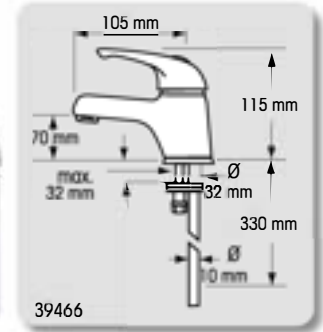
Colour white.
Swivelling base and spout.
2 water inlets.
Pressure : 2 - 2.5 bar. 3/8" connection.



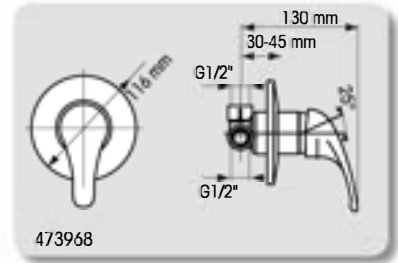
Spray nozzle for even
water flow.

Compact mixer tap 39466

Supplied with 2 x 35 cm
metal plumbing hose and
screw-type connectors.

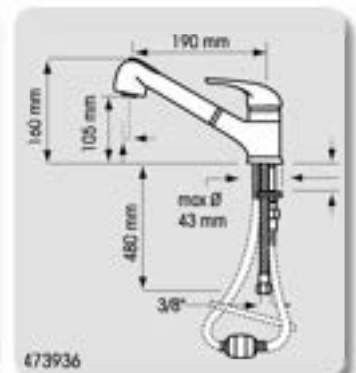
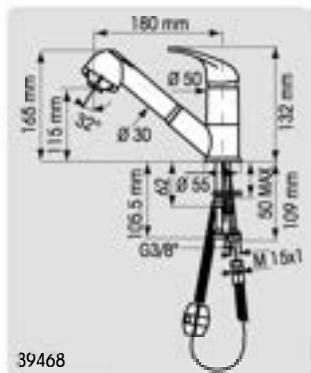


Wall control mixer tap 473968



Mixer tap with shower head

Ref.	Description
A 39468	For use either as a shower or as a basic tap. Shower with 1.2 m flexible hose. Swivelling shower base. Comes with 2 metal 35 cm flexible hoses and screw-type connectors.
B 473936	Retractable shower with 1 m flexible hose.



Shower kits

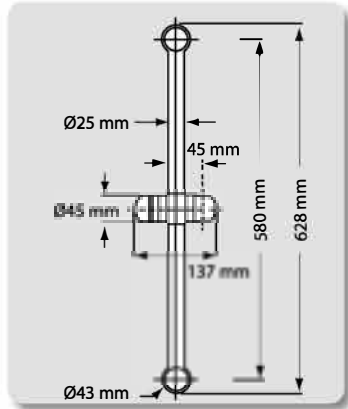


Shower kit with wall rail 39469

Ready-to-mount kit includes :

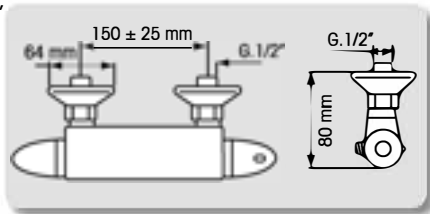
- shower head with spray nozzle and 1.50 m hose.
- wall rail.
- soap dish.

To be used in conjunction with thermostat shower control ref. 39470.
Shower connector : 1/2".



Thermostat shower control 39470

Supplied with screw-type connectors and accessories, suitable for mounting on any wall thickness. Max. temperature 80°C. Pressure 6 bar.
To be used in conjunction with shower kit ref. 39469.
Connector for 1/2" hose.
Hot/cold water inlet : 3/4".



Retractable towel rack

Dimensions
72 x 25 mm.

- Chrome-plated brass : **473942**
- Polished brass : **473943**

Shower kit 27302

Includes :

- shower head with spray nozzle.
- 1.50 m flexible hose.
- shower wall bracket.

Pressure : 2 bar.



Shower lever control 27300

Includes lever control and plumbing. 3/8" connection. Suitable for use with shower 27302. Pressure : 3.5 - 4 bar.



Wall mount shower lever 27305

Includes wall mount lever, colour grey, and 3/8" connection. Lever rotates through 110°, allowing fine temperature adjustment. Constant temperature whatever the flow. Designed for use with showers 27302. Pressure : 2-2.5 bar.



Solar shower 19 L : 13272

Light, easy to use and to carry around. Three hours of sun exposure are enough to heat the water.

Ventilation system

EZ Air

The EZ Air ventilation system was developed by our Plastimo R & D team in collaboration with the most prestigious European boatbuilders. The EZ Air unit completes the EZ Water and EZ Elec range with a new ventilation system for engine compartments.

Using the same clever EZ mounting system with many innovative features: a compact system for easier installation and space saving solution compared to standard ventilation systems.

No more goosenecks, the EZ Air system replaces the typical bulky installation for increased safety. The compartments remain watertight even in the event of capsizing.

**DESIGNED BY
PLASTIMO**
Patented

EZ Air compact venting system

67800

Can be mounted as required with a straight or elbow connector in combination with the various EZ Air options available.

Features :

- Leak-proof with the non-return valve.
- Increased fresh air supply for the engine while limiting pressure drops.
- Compact, reduces the size of the installation.

Benefits for boat-builders:

- Easier fan positioning.
- Simplified cockpit architecture.
- Space saving through lower downstream height.
- Limited impact on ISO stability criteria.
- Faster implementation with productivity gain on the assembly line.

Application areas:

- Engine and fuel tank compartments.
- Compartments requiring a condensation prevention system.

Conformity :

- ISO12216: Deck panel sealing in Zone 1 (§4.4.1).
- IMCI (International Marine Certification Institute).



**30TH
DAME
NOMINATED
2021**



Ø 80 mm outlet compatible with ventilation ducting hoses.

Compatible with external helical braid hose (ref 67912) and collars.

Wave, splash and immersion proof valve. Complies with ISO12216 standard specifications: deck panel sealing (Zone 1 = 35 KPa). ISO.

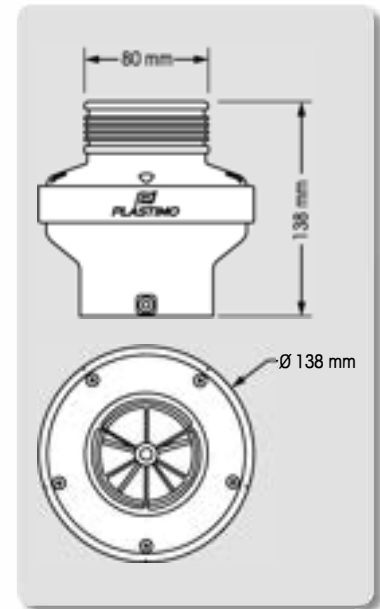
Seal: maximum operating temperature = 100°C

Attachment:

- Through bulkhead with elbow sleeve (ref 67910). Bulkhead thickness 25 mm max.
- On box with the straight sleeve (ref 67307).

Mounting:

The system must be mounted vertically (+ or - 10°).



Compatible with Plastimo bilge blower, see p. 600 (Requires sleeve ref 67307).



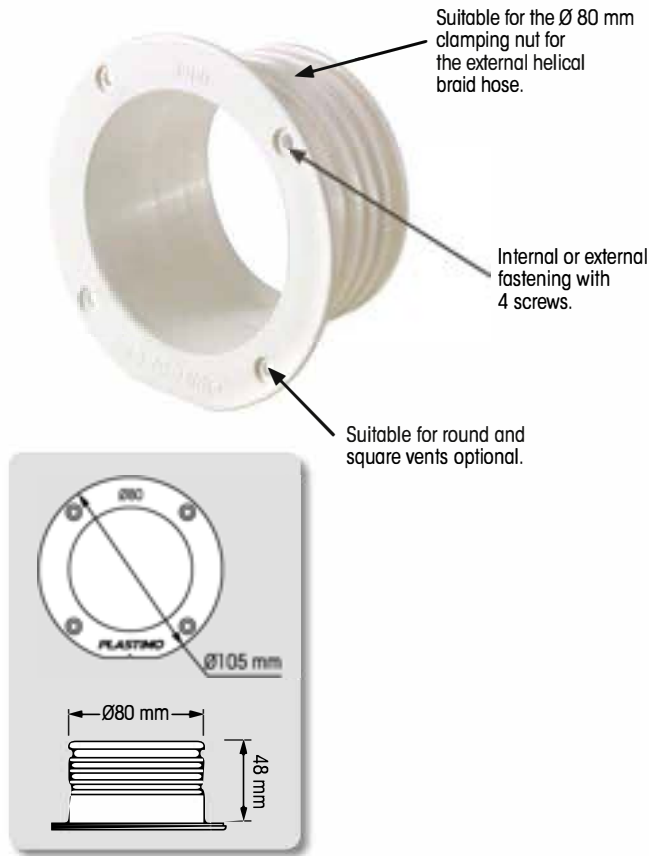
Connector

The connector must be combined with the EZ Air system.

The connector can be used independently of the EZ Air system for other applications. The external helical braid hose is fastened with the patented Plastimo clamping nut.

Ø 80 mm straight connector 67307

Allows fastening on a ship's ventilation box.

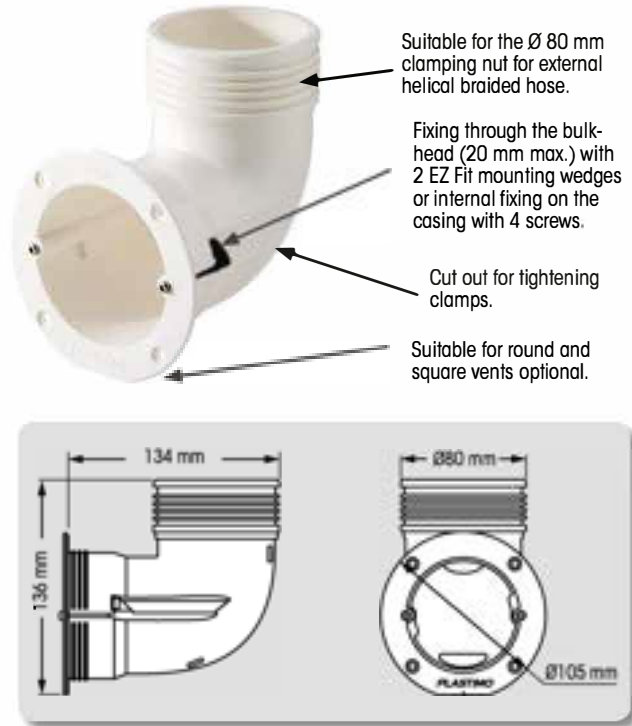


Ø 80 mm elbow connector 67910

The elbow connector is fixed through the partition with 2 mounting wedges (stainless steel A4 Torx screws supplied).

Maximum bulkhead thickness: 25 mm. Can also be fixed to an interior ventilation system with 4 screws (not supplied).

The connector can be used independently of the EZ Air system. In this case, a gooseneck with adjustable clamps should be mounted.



Fastening nut for external helical braid hose

- Ø 80 mm : **67912**
- Ø 3" / 75 mm : **67913**

The Plastimo clamping nut is specifically designed to fix and secure the external helical braid hose.

The clamping nut clips onto the EZ Air products with many benefits :

- Clean assembly.
- Quick and easy installation.
- Preservation of the hose and connector.
- Can be fixed without sealant.



Options

- Reducer adapted to the straight and elbow connector for the use of a Ø 3" / 75 mm hose: 67914 : **67914**.



- Round or square hose vents to stylishly match any deck or transom design for a clean look. Anti-UV ABS.

- Round vent : **67872**
 - Square vent : **67873**
 - Ø 80 mm hose : **70567**
- p. 604.

Ventilation ducting hoses

To avoid water intrusion into the ventilation circuit, place the ventilator in a protected area and do not hesitate to bend the hose.



Hose for ventilation with internal helical braid

PVC flexible hose reinforced with PVC internal helical braid. Smooth-walled inside. Temperature range : -15° C to +60° C. Do not use under pressure. Length : 25 m.

High flexibility



Ref.	Int. Ø	Thickness	Braid Thickness	Weight	Bend radius	Vacuum pressure
16277	70 mm	0.5 mm	3.3 mm	500 g/m	110 mm	150 mbar
27160	76 mm	0.5 mm	3.4 mm	530 g/m	115 mm	127 mbar
27161	102 mm	0.5 mm	3.8 mm	1000 g/m	127 mm	100 mbar



Hose for ventilation with external helical braid

PVC flexible hose reinforced with rigid shockproof PVC external helical braid. Smooth-walled inside. Temperature range : -10° C to +60° C. Do not use under pressure. Length : 25 m.

Lightweight and resistant

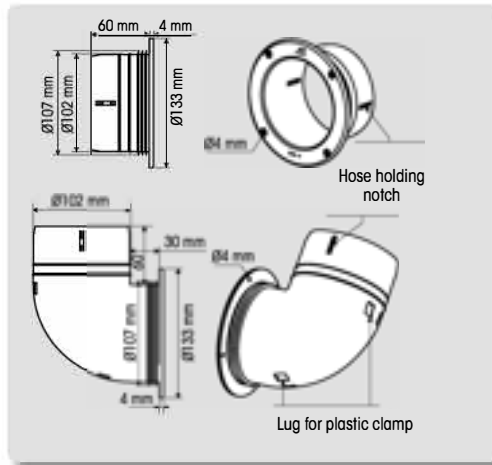
Ref.	Int. Ø	Thickness	Weight	Bend radius	Vacuum pressure
403945	70 mm	0.6 mm	415 g/m	105 mm	150 mbar
403944	75 mm	0.6 mm	465 g/m	113 mm	140 mbar
70567	80 mm	0.6 mm	510 g/m	120 mm	140 mbar
418253	100 mm	0.8 mm	615 g/m	150 mm	140 mbar

Connectors for ventilation shaft

Specifically designed to ventilate engine compartments.

- A - **51069** Elbow connector.
- B - **51070** Straight connector

Polypropylene construction : shock and load resistant, impervious to fuel and acetic acid. Notches and lugs hold the hose in position ; in addition, the hose must be secured with stainless steel clamps. Connector is easy to fit, by means of 4 screws outside.



A



B

For ventilation shaft
Ø 102 mm, 4".



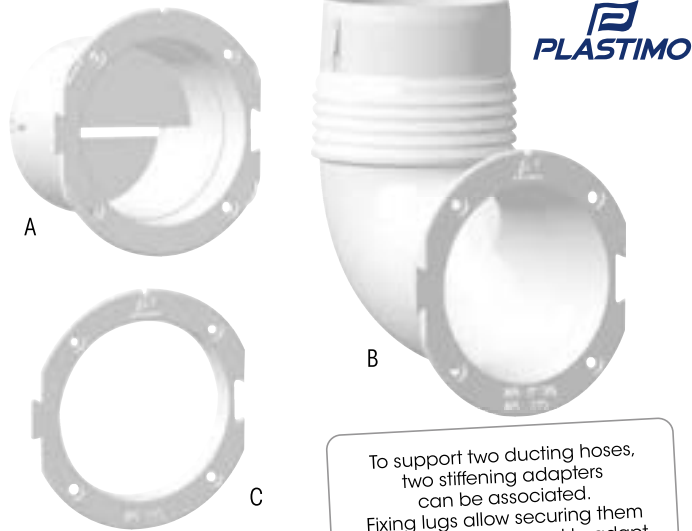
The elbow against the transom prevents water intrusion.

When installing the blower, we recommend to place the exhaust louvred ventilator in a reasonably protected area (for example, in the cockpit rather than on the transom), so as to prevent water intrusion into the ventilation circuit. An extra precaution consists in building an elbow in the hose.



Wall-mount PVC connector

Description	Ref.	Hose Ø
PVC straight connector	50155	65 - 70 mm
	50156	100 mm



To support two ducting hoses, two stiffening adapters can be associated. Fixing lugs allow securing them by 2's, when they need to adapt to a double louvered vent.

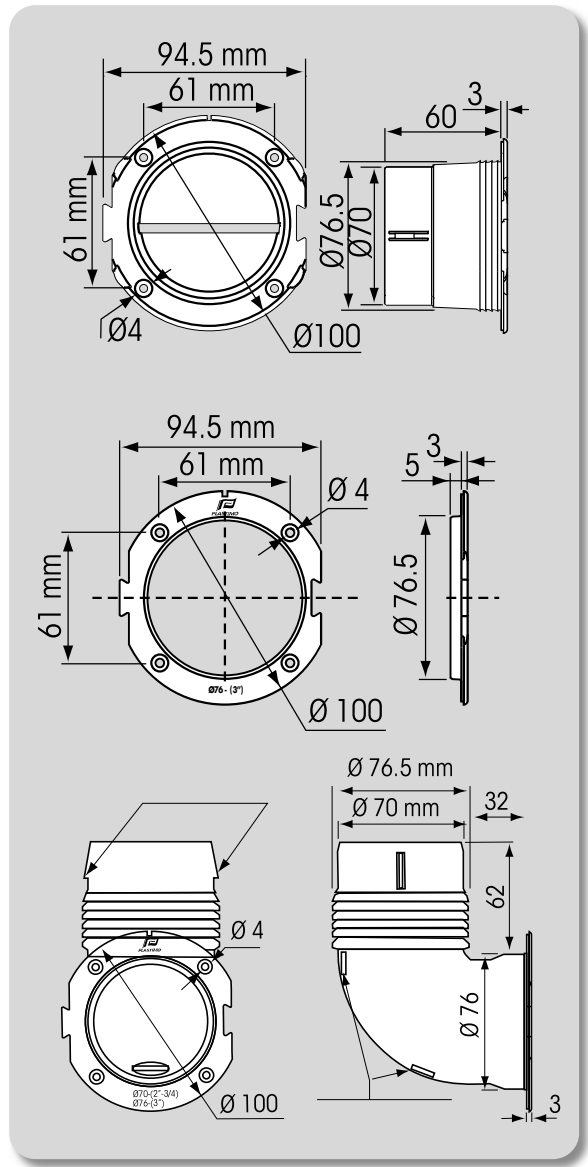
Stiff ducting adapters

Suitable for Ø 3" and 70 mm ducting hose. Manufactured from polypropylene for a good UV-resistance. It is extremely shock and load resistant, compatible with common sealants and impervious to acetic acids. Made to support a hose along a bulkhead. On the straight model, ventilation is ensured by a louvred opening, which also prevents heavy water intrusions.

Quick and easy installation :

Drill a Ø 76 mm hole. Notches ensure the perfect hold of the adapter in the bulkhead. Secure the adapter with 4 x M4 screws and sealant for waterproofness (compatible with most common sealants). Clip a louvered vent if necessary : moulded-in ribs contribute to the vent's secured position. Fit the hose on the adapter. Two lugs hold the hose, while waiting to be secured with stainless steel hose clips (not supplied).

Ref.	Modell
A 47514	3" straight adapter
B 54389	3" elbow adapter
C 54390	3" 5 mm flange



3" hose vents

Used either on its own to ventilate a locker or in conjunction with the stiffening adaptor for connection to a hose. No screws required : neat aesthetics and time-saving assembly.

Ref.	Colour
47515	White
47516	Grey
47517	Black

Use :

- **Locker ventilation** : drill a Ø 73 mm hole with a hole saw, apply sealant and push-in the vent.
- **Inside locker ventilation, in conjunction with a hose** : the vent grid is simply clipped on the stiffening adaptor, requiring no glue nor mechanical fixture.



Ventilation flange

417965

Ø ext. 85 mm.
Black polyethylene resistant to water and hydrocarbons.
Easy mounting (hose Ø 75 mm) with no need for clamps. Access from above deck.

Vents

Range of vents covering most mounting possibilities typically encountered on a boat. The Plastimo range provides a stylish, efficient and mechanically resistant answer.

To prevent water intrusion into the ventilation circuit, place the vent in a protected area and if possible form a swan neck in the sheath.

Double vents



A

Connects two ventilation exhausts behind one single louvred vent.

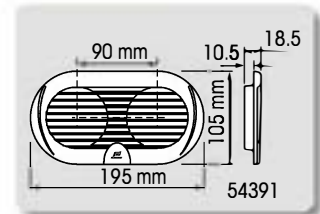


B



A - Example :
locker
ventilation

Description	Ref.	Dimensions	Colour
Double ventilator. Offers multiple combinations in conjunction with two adaptors (flange, straight or elbow stiffening adaptors). The vent is simply clipped on the stiffening adaptors (90 mm space between the two holes).	A 54391	195 x 105 mm Ø 3"	White
Detachable double vent - Polyamide	B 44545	255 x 115 mm	White



54391

Water applications on deck



The EZ Water range was developed by the Plastimo R & D team in cooperation with the most prestigious European boatbuilders. In addition to addressing all water applications on deck, it also **brings new innovative solutions to mounting issues** : only one operator is required to install our EZ units, generating **substantial labour and time saving for the boatbuilder**.

EZ Water : a range that combines efficient installation and perfect integration that matches the boat design and style thanks to the choice of shape and colour.

- The EZ water series comes as complete units, including all operational parts.
- Also available as empty housing units.
- The deck shower unit accepts most shower of the market.



All essential water functions on deck :

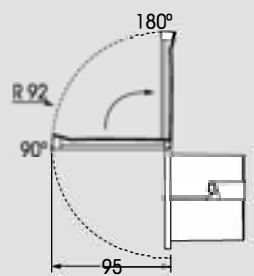
- **Comfort and safety** : Splashproof when closed.
- **Stylish design** : Round or square versions with a choice of 3 colours to match stylishly and fit snugly in any deck or transom of sail and power boats, for a clean uncluttered look.
- **Flexibility*** : Flexible cover, unbreakable in case it gets snagged with crew moving about the deck.
- **Durable materials** : ASA/ABS rigid cover or thermoplastic elastomer flexible cover. UV-resistant cover withstands temperature variations. ABS built-in housing. Maintenance free.
- **Premium components** : Stäubli connectors and A4 Torx screws.



* FLEXIBLE COVER.



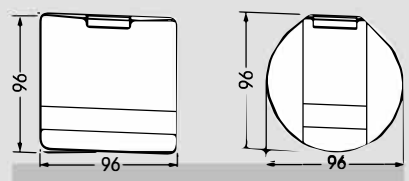
Housing requires minimal depth for installation.



Dimensions : mm

It's so EZ !

The clever principle of self-clamping wing lugs eliminates the need to drill 4 holes for fixing screws. The Plastimo innovation consists in integrating originally the A4 Torx stainless steel screws into both sides of the housing, and connecting these screws to self-clamping wings : flush installation in transom or deck only requires a Ø 70 mm hole and tightening of 2 screws from the front of the housing. As screws get tightened, both clamping wings will flip up and pull tight against the back of the bulkhead. This extremely simplified installation process is carried out by one single operator.



- Rigid or unbreakable flexible cover.
- Unit body is common to all models (round or square cover).
- Drill diameter 70 mm.
- Self-clamping wing.
- Stainless steel A4 Torx screw, originally integrated.
- Outside diameter 95 mm.

EZ range extension now includes Electrical applications.

EZ Elec  

EZ Water

Complete range for all essential water functions on deck :



Deck shower



Mixer tap



Fresh water inlet



Sea or fresh water outlet

The EZ Water range is composed of complete, ready-to-use functional units. Also available as empty housing units.

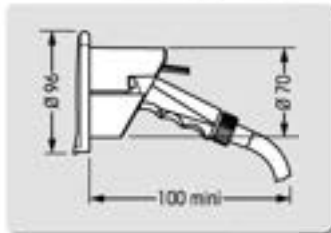
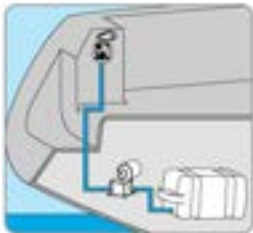
EZ Flex



Unbreakable flexible cover

Unbreakable in case it gets snagged with crew moving about the deck.
Material : thermoplastic elastomer.
UV-resistant TPU, withstands temperature variations.

Available in round and square versions, white colour.



Deck shower



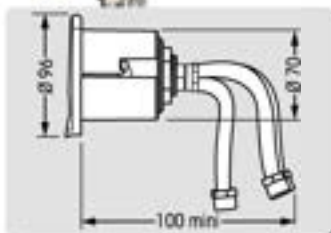
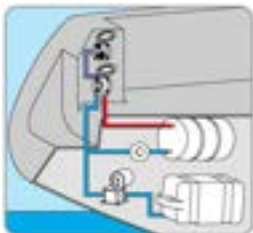
Unit includes :

- The ABS flushmount housing with splashproof cover.
- Rigid cover : ASA / ABS or flexible cover : thermoplastic elastomer.
- A chrome or white shower head.
- 3 m hose.

The shape of the housing has been contoured specifically to avoid the showerspray being accidentally activated. Safe opening and closing prevent the shower hose from uncoiling and potentially getting caught in the propeller. Accepts most existing shower heads.

SHOWERHEAD + 3 m hose	Model	Rigid			Flexible
		White	Chrome	Black	White
WHITE	Round	67202	67580	67542	69143
	Square	67203	67581	67543	69144
CHROME	Round	67592	67596	67594	69171
	Square	67593	67597	67595	69172
Single housing (empty)	Round	67312	67578	67540	69155
	Square	67313	67579	67541	69156

White and Chrome covers : white housing - Black cover : black housing.



Mixer tap



Unit includes :

- The ABS flushmount housing with splashproof cover.
- Rigid cover : ASA / ABS or flexible cover : thermoplastic elastomer.
- A chromed brass mixer tap.
- 20 cm hose (3 connectors).

MIXER TAP + 20 cm 3- hose	Model	Rigid			Flexible
		White	Chrome	Black	White
CHROME	Round	67204	67582	67544	69145
	Square	67205	67583	67545	69146
Single housing (empty)	Round	67598	67602	67600	69157
	Square	67599	67603	67601	69158

White and Chrome covers : white housing - Black cover : black housing.

EZ Water



Fresh water inlet

Perfect connection between the boat's water network and the shore water supply : it becomes easy to cook or have a shower when at the dock, without using water from the tanks (not suitable for filling the water tanks).

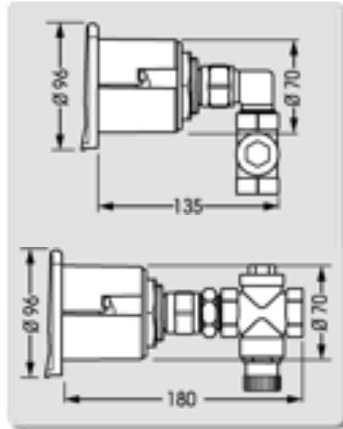


Unit includes :

- The ABS flushmount housing with splashproof cover. Rigid cover : ASA / ABS or flexible cover : thermoplastic elastomer.
- A pressure regulator which accepts up to 7.5 bar (108 PSI) shore supply and delivers a 3 bar* (43 PSI) working pressure, compatible with most appliances and equipment on board.

- A non-return valve.
- A male quick-coupling fitting for garden hose connection.
- Male 3/4" threaded connector to the boat's water system.
- Components sealed with silicone

*adjustable 1 to 4 bar (15 to 60 PSI)



WATER INLET	Model	Rigid			Flexible
		White	Chrome	Black	White
Elbow connector	Round	67206	67584	67546	69147
	Square	67207	67585	67547	69148
Straight connector	Round	67208	67586	67548	69149
	Square	67209	67587	67549	69150
Single housing (empty)	Round	67310	67576	67538	69159
	Square	67311	67577	67539	69160

White and Chrome covers : white housing - Black cover : black housing.

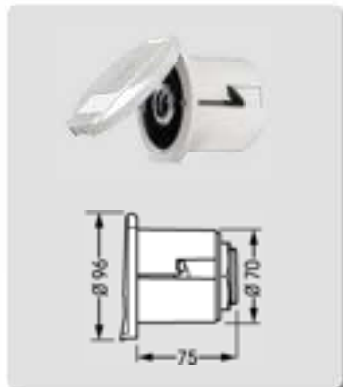
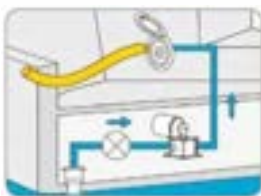


Sea or fresh water outlet

Used in conjunction with a pump and a thru-hull fitting, the EZ water outlet produces pressure sea or fresh water on the deck (to wash the deck, rinse the fish...).

Unit includes :

- The ABS flushmount housing with splashproof cover. Rigid cover : ASA / ABS or flexible cover : thermoplastic elastomer.
- A Stäubli female quick-coupling fitting with integrated non-return valve, for connection to a garden hose. Chromed brass construction with st. steel bearings for optimum corrosion resistance.
- A locking flange.
- Male 3/4" threaded connector to the boat's water system.
- Components sealed with silicone.



WATER OUTLET	Model	Rigid			Flexible
		White	Chrome	Black	White
Elbow connector	Round	67210	67588	67550	69151
	Square	67211	67589	67551	69152
Straight connector	Round	67212	67590	67552	69153
	Square	67213	67591	67553	69154
Single housing (empty)	Round	67310	67576	67538	69159
	Square	67311	67577	67539	69160

White and Chrome covers : white housing - Black cover : black housing.

Our Range of Boatbuilding Products Includes:

- Access & storage hatches
- Battery accessories
- Bilge ventilation
- Compasses
- Consoles and seats
- Deck hatches & portlights
- Deck showers & hoses
- Electric & manual bilge pump
- Fire extinguisher enclosures
- Sinks & washbasins
- Vents
- Water applications on deck



Distributed in the USA by

BAINBRIDGE
INTERNATIONAL



USA Corporate Headquarters
255 Revere Street



Canton, MA 02021
(781) 821-2600



@bainbridgeinternational



bainbridgeintusa



Bainbridge International Southeast
2580 N. Powerline Road, Suite:603



Pompano Beach, FL 33069
(954) 532-7557



Bainbridge International West
15242 Transistor Lane



Huntington Beach, CA 92649
(714) 373-3322



www.bainbridgeintusa.com

www.eshop.bainbridgeintusa.com